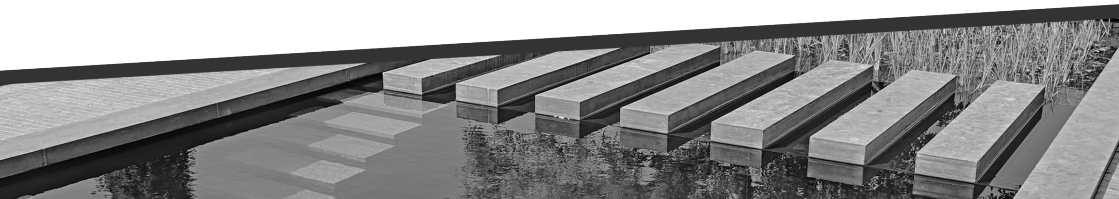


**MANUAL** English • Nederlands • Deutsch • Français

# **PRESSURE FILTER**

---

**GPF-SERIE**



## INTRODUCTION

Congratulations on your purchase. Once your filter is installed, you can enjoy clear water for years to come. AquaForte filters are carefully tested for safety and use. However, failure to follow the instructions and warnings may lead to damage and / or personal injury. Read this manual carefully and keep it for future reference.

## SAFETY RULES

On stagnant water, garden ponds and swimming ponds, as well as in their vicinity, operation of the unit is only permissible with a residual current device with a tripping current of up to 30 mA (according to VDE 0100 parts 702 and 738).

The appliance is not suitable for use in swimming pools, paddling pools of any kind and other bodies of water in which people or animals may be present during operation. It is not permitted to operate the appliance while people or animals are in the danger zone. Consult your electrician!

This appliance is not intended for use by persons (including children) with reduced physical, sensory or mental capabilities, or lack of experience and/or knowledge, unless they have been given supervision or instruction concerning use of the appliance by a person responsible for their safety. Children should be supervised to ensure that they do not play with the appliance.

- Before putting the filter into operation, carry out a visual check. Do not put the filter into operation if it is damaged.
- The filter is to be used only for the purposes specified in these operating instructions.
- You are responsible for safety in the work area.
- If the cable or plug is damaged due to external influences, the cable must not be repaired but replaced with a new one. This work may only be carried out by a qualified electrician.
- The voltage of 230VAC specified on the unit type plate must correspond to the existing mains voltage.
- Never lift, carry or fasten the device by its power cable.
- Make sure that the electrical plug connections are located in the flood-proof room or are protected from moisture.
- Always pull out the mains plug before working on the unit.
- Avoid exposing the device to a direct jet of water.
- The operator is responsible for compliance with the locally applicable safety and installation regulations. If necessary, consult an electrical engineering specialist.
- The user must take appropriate measures (e.g. installation of an alarm system, stand-by pump, etc.) to prevent consequential damage caused by flooding of rooms in the event of a malfunction of the appliance.
- In the event of a defect in the device, repair work may only be carried out by a qualified electrician.
- The unit must never run dry or be operated with the suction pipe completely closed. The manufacturer's guarantee becomes null and void if damage to the unit is caused by dry running.
- The unit must not be used for filtering swimming pools.
- The unit must not be installed in the drinking water circuit.
- The unit is only installed outside of water.
- The distance from the device to the pond must be at least m2.
- It must be ensured that the device cannot fall into the water.
- Place the unit so that it is not exposed to direct sunlight.

- If necessary, shorten the hose tails according to the hose diameter.
- Attach the hoses and hose clamps.
- Although ultraviolet radiation emits the lowest energy of all ionising radiation, it can be dangerous for humans and other organisms. Even UV-C radiation with a longer wavelength is capable of breaking the chemical bonds of organic molecules. Therefore, responsible handling of technical UV-C sources is recommended.
- Use the tube only in its closed, unbroken housing.

**Read all safety information and instructions.** Failure to observe the safety information and instructions may result in electric shock, fire and/or serious injury. Keep all safety information and instructions for future reference.

### Resistance

- The temperature of the pumped liquid must not exceed +35 °C in continuous operation.
- This pump must not be used for pumping flammable, gaseous or explosive liquids. This pump must not be used for other liquids, particularly motor fuels, cleaning agents and other chemical products!

### Electrical connection

The electrical connection is made at an earthed socket 230 V ~ 50 Hz. Minimum fuse 10 A.

- No water may reach the UV-C section! The filter must be placed at least 2 metres away from the pond. The lamp cannot be used under water.
- The power supply of the UV-C section must never be switched on before the water circulation.
- Place the UV-C section in a safe and stable location. The quartz glass of the UV-C section is fragile.
- Do not switch on the power until all parts of the filter are completely fixed.
- If the quartz glass or the upper part of the UV-C part are damaged, the pressure filter cannot be used.
- When people are in the water, the UV-C part cannot be used.
- Make sure that the electrical voltage and frequency used correspond to the indication on the filter.
- The domestic installation regulations must be observed when installing the appliance.
- Do not pull on the connection cable. Keep the connection cable away from heat, grease and sharp objects.
- Make sure that the top is not exposed to a pressure of more than 0,3 bar.
- Remove the UV-C section if frost is expected.
- The UV-C section must not be exposed to direct sunlight.
- Dirt affects the function of the quartz glass. Therefore, clean it regularly.
- The UV-C lamp should be replaced after 8000 hours of operation to maintain the function of the UV-C part.
- UV-C light is harmful to the eyes and skin. Please do not look directly into the UV-C light and do not expose your skin to UV-C light.
- When installing or repairing the unit, switch off the power supply to the lamp and the pump.
- The product must be installed horizontally with the feet down. For safety reasons, it is not permitted to install the unit in any other way.

## **APPLICATION AREAS/FUNCTIONALITY**

This UV-C unit ensures healthy fish and clear water. The water is pumped through the UV-C unit by a pump. There it flows past a UV lamp and is exposed to UV-C radiation, which destroys the bacteria, pathogens and floating algae in the water. The water thus becomes clear.

For best results, the unit should be operated 24/7 during the frost-free season.

## **OPERATION**

Turn on the pump and wait for the unit to fill with water. Check all connections for leaks. As soon as the plug is in the socket, the unit will operate.

## **TECHNICAL DATA**

MODEL	Power (W)	Voltage (V) / Frequency (Hz)	Max. fishpond volume (ℓ)	Max. ornamental pond volume (ℓ)	Recommended flow rate (ℓ/h)	Inlet/ outlet(mm)
GPF-2500	11	230 / 50	3000	6000	6000	19/25/33
GPF-5000	11	230 / 50	4000	8000	9000	19/25/32/40
GPF-10000	11	230 / 50	6000	12000	10000	19/25/32/40
GPF-15000	18	230 / 50	10000	30000	10000	19/25/32/40
GPF-20000	36	230 / 50	20000	40000	12000	32/38
GPF-30000	55	230 / 50	30000	60000	12000	32/38

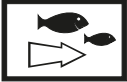
## **SECURITY**

- This device produces harmful radiation. Direct contact with skin and eyes is harmful and should be avoided.
- If the device is damaged, it must not be used.
- If no water is pumped, the unit must be switched off.
- In case of frost, the unit should be dismantled and stored in a dry and frost-free place.

# GPF-2500/GPF-5000/GPF-10000/GPF-15000/GPF-20000/GPF-30000



Water inlet from pump into filter



Return/outlet to pond



Cleaning outlet of the filter to wastewater or to a flower bed

These pressure filters are an ideal and well-functioning filter system for your pond. Advantages over traditional filter systems:

- Great cleaning power
- Combination of mechanical and biological filtration
- Effective filter materials
- Integrated UV-C unit and dirt indicator
- Max. pump head 3 mtr (depending on the pump)
- Installation and maintenance are very easy

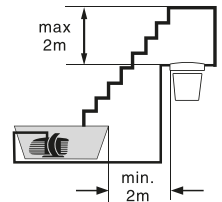
## FUNCTIONS OF THE PRESSURE FILTER

The water is cleaned by the pressure filter in 3 stages:

1. **Mechanical.** Visible dirt particles are removed by 3 layers of filter sponges, sorted from coarse to fine.
2. **Biological.** Through Filter sponges and bioballs (depending on the model), the development of bio organisms is stimulated. These micro-organisms remove organic components from the water.
3. **UV-C water treatment.** Floating algae and germs are killed by the UV-C light. The result is healthy water.

## USE

- The pressure filter should be placed at least 2 metres away from the pond. The outlet of the water back into the pond should be max. 2m above the filter lid (0.2 bar water pressure!).
- First of all, the pump must be switched on. The UV-C lamp can only be put into operation when water is flowing past it. Do not use the UV-C unit if the lamp or the connections are damaged and/or if there are people in the water.
- The built-in temperature sensor ensures that the UV-C lamp is automatically switched off in the event of overheating. As soon as the lamp has cooled down, it is automatically switched on again.
- AquaForte pressure filters are supplied complete with all filter materials. Rinse the filter mats carefully before use with pond water. The bio balls (depending on the model) are placed on the bottom of the filter and the grid with the protective tube for the UV-C device is placed on top. Place the filter sponges on top, from fine to coarse. Put on the cover and close the filter



with the clamp supplied.

- When correctly installed, the filter is watertight up to an operating pressure of more than 0,5 bar. The power supply must be equipped with a residual current device not exceeding 30 mA.

### Assembly of the hose tail/caps

Slide the union nut over the black hose tail, insert the flat seal into the union nut and screw it onto the water inlet hose tail and the water outlet hose tail. Screw the sealing caps with flat gasket onto the cleaning outlet.

### Connecting the water supply

Connect the pump to the hose tail with the arrow pointing to the filter. Use a tube diameter that equals the diameter of the pump outlet. Cut off the unused parts of the hose tail.

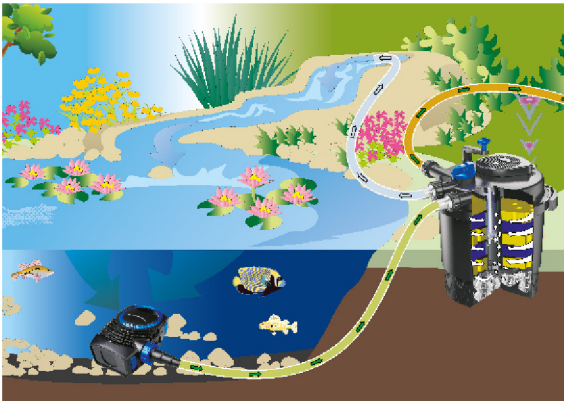
### Connecting the water outlet

The hose tail with the arrow pointing away from the filter is the outlet to the pond. Connect a suitable hose to the largest diameter of the outlet and cut off the other diameters. To prevent the hoses from coming loose, attach hose clamps.

### Connecting to the cleaning connection

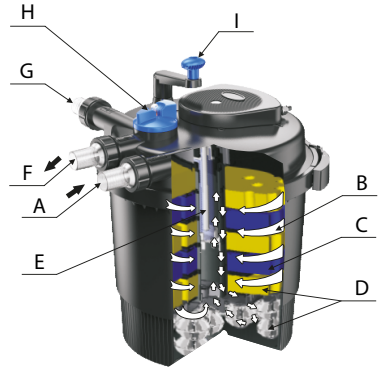
To permanently connect a drain hose to the cleaning connection ("Clean"), unscrew the cap from the cleaning connection ("Clean"), mount the third hose tail and connect a suitable hose. During filter operation, the cleaning connection or a drain hose connected to it must always be sealed with a cap and an applied flat gasket as a safety precaution in case the function switch is inadvertently set to "Clean".

**Never operate the unit without a water supply or without a pump filter.**



# OPERATION OF THE PRESSURE FILTER

The pressure filter with integrated UV-C light is a closed filter system for biological and mechanical pond water cleaning.



The following takes 30000GPF-20000 as an example.

Part	Designation	Note
A	Water inlet	A pressure hose connects the pump to the water inlet.
B	Vortex system	With the help of centrifugal and gravitational forces, the water penetrates the filter media.
C	Mechanical Filter	Dirt particles stuck to the surface of the filter sponges before the water flows further into the filter.
D	Biological Cleaning	Microorganisms settle on the pores of the filter sponges. The blue and yellow filter sponges differ in size and density. This creates zones through which the water flows at different speeds. The zones with a high flow rate (blue filters) are mainly colonised by micro-organisms that convert ammonium into nitrate. In the faster flow zones (yellow filters), mainly anaerobic microorganisms gather.
E	Cleaning of the pond water	microorganisms that reduce nitrate to nitrogen.
F	Water outlet with flow indicator	The cleaned water flows back into the pond.
G	Drain for rinse water during cleaning (GPF-2500-5000-10000-15000-20000-30000)	
H	Function switch for switching between "filter" and "clean filter".	
I	Cleaning handle (GPF-2500-5000-10000-15000-20000-30000)	

# CLEANING OF THE FILTER SPONGES WITH CLEANING LEVER

**GPF-2500-5000-10000-15000-20000-30000**

---

- The filter sponges are cleaned using the cleaning handle. The dirt is pressed out of the filter by the rotation.
- Please observe the following instructions to ensure that the water is always optimally cleaned:
  - The filter system must remain switched on for 24 hours a day.
  - The UV-C lamp should be replaced after 8000 hours of operation to ensure optimal effectiveness. The filter system should be cleaned regularly.

## CONNECTING THE PUMP

---

- There are 3 connections on the filter lid with a hose nozzle:
  - The pump is connected to the first Hose tail. Use a tube diameter equal to the diameter of the pump outlet. Cut off the diameter of the hose tail that is not needed.
  - The hose tail in the middle of the cover is the outlet to the pond. Connect a suitable hose to the largest diameter of the outlet and cut off the other diameters. Use hose clamps to prevent the hoses from coming loose.
- Never operate the filter with the integrated UV-C with a water pressure greater than 0,2 bar! The height difference between the filter cover and the pressure-free outlet of the supply pipe may not exceed 2 m. The maximum head of the pump may not exceed 0.5 bar. Only use the filter with hoses that can withstand a pressure of at least bar0,2, max. the pressure of the pump.
- Make sure that the drain in the pond is in a clean place. If the drain is blocked, this can lead to increased pressure. This in turn can lead to a leak in the filter and thus to the complete draining of the pond. When operating the filter in the "filter" position, please ensure that all seals are in place to prevent the pond from emptying.
- The sealing cap also functions as a safety measure in "Clean" mode. Make sure that the filter is always in the "Filter" position works as long as the pump is running. The filter may only be set to "Clean" when the filter sponges are being cleaned.
- Before switching on the filter, check that all hoses and seals are correctly in place. Never filter liquids other than water.
- In case of frost, the filter must be removed. Do not expose the filter to direct sunlight.
- After the filter has been placed in the correct position and the pump has been connected, the built-in UV-C unit can be switched on.

## UV-C UNIT

---

- The pressure filters are supplied complete with a built-in UV-C unit. The UV-C bulbs have approximately 8000 active burning hours, which corresponds to the seasonal use from March to November. The UV-C bulbs can be easily replaced by unscrewing the screws in the spherical part of the cover.
- We recommend replacing the UV-C lamp with a new one at the beginning of the season.
- The UV-C clarifies green water and fights germs. The pressure filters have a separate chamber, so that the UV-C rays do not come into contact with the filter medium. This means that the micro-organisms in the filter material are not damaged.



Pressure filters of the GPF-2500-5000-10000-15000-20000-30000 series have a quick cleaning function by means of a handle. Instead of the push button described above, you turn the handle until the filter sponges are clean.

**We recommend changing both filter material and lamps annually to ensure proper filter operation.**

When using the filter normally, the "drain connection" (C) should be sealed with the supplied end cap with seal and sight glass to prevent dripping from the connection. The pressure filter models of the GPF-2500-5000-10000- 15000-20000-30000 series have a hose tail with integrated ball valve to close the connection.

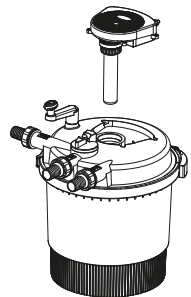
## **FURTHER NOTES:**

- Before each commissioning of the filter, the seals and connections must be checked for correct assembly.
- Pond pressure filters are only suitable for filtration of water with impurities that are typical for pond water.
- Do not expose the filter to direct sunlight for long periods.
- In the event of frost, the filter must be completely emptied, if necessary dug up and stored in a dry, frost-free place.
- After any work where the lid has to be removed, make sure the sealing ring is in place when replacing the lid! Place the clamping ring around the lid, press the lid down and close the clamp.

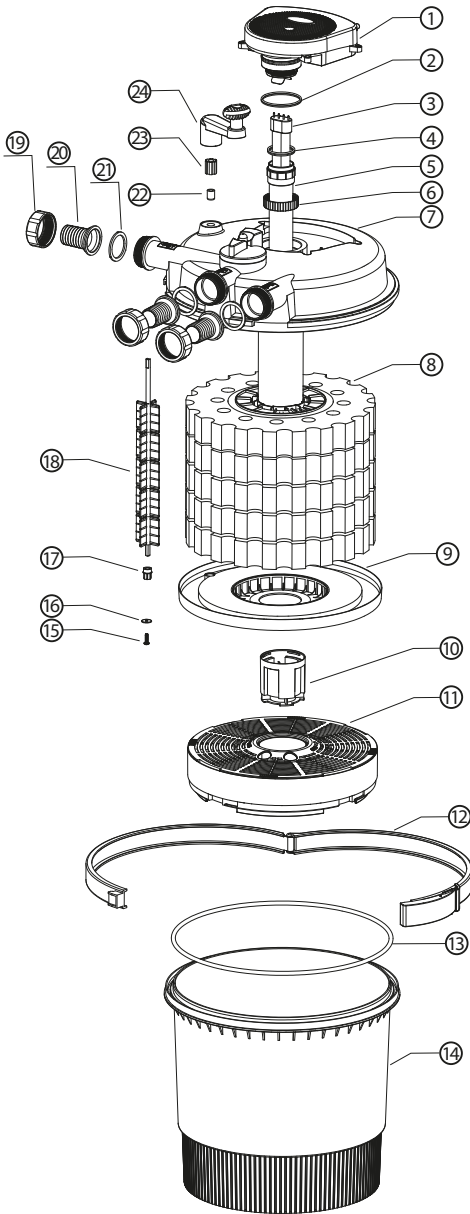
## **REPLACING THE BULB**

If the number of algae increases, this may indicate that the UV-C lamp needs to be replaced. You can see whether the lamp is lit by the UV indicator. Always replace the lamp after one season!

- Disconnect the UV lamp and the pump from the power supply before replacing them.
- Loosen the 4 screws of the UV unit from the filter cover.
- Carefully remove the UV unit.
- After the UV unit has cooled down and dried, grasp the underside of the lamp (not the glass!) with a soft cloth and carefully pull it out of the socket.
- Hold the new lamp at its base with a soft cloth and carefully insert it into the socket.
- Now the quartz glass in which the lamp is located must be cleaned. Dissolve the deposited lime scale with suitable agents (coffee machine cleaner or water descaler such as citric acid) while heating. Afterwards, make sure you remove all traces of the cleaning agent from the quartz glass.
- After flushing, reassemble all components in reverse order. Reconnect the pump and the unit to the mains.
- The UV-C device must be disconnected from the mains before any maintenance work is carried out!
- Start-up only if the UV-C system is FULLY assembled!
- DO NOT make any changes to a running UV-C unit!
- The UV-C device must NOT be carried by the cable!
- Always place the UV-C device outside the pond (never in the water)!
- If there is frost, you should remove the UV-C device!



# PARTS LIST



1	UV head
2	Ring
3	UV lamp
4	O-ring 1
5	Quartz glass tube set
6	Fixing-nut
7	Lid
8	Sponge
9	Separate plate
10	Diversion pipe
11	Filter basket
12	Clamp
13	O-ring 2
14	Container
15	Screw
16	Washer
17	Down Bearing
18	Clean gear set
19	Inlet&Outlet nut
20	Inlet&Outlet
21	Gasket
22	Upper bearing
23	Shaft connection
24	Cleaning handle

# DISPOSAL REGULATIONS



The EU Directive on Disposal of Waste Electrical and Electronic Equipment (WEEE, 2012/19/EU) was implemented by the Electric and Electronic Equipment Act.

Disposal of used electrical and electronic equipment (to be used in the countries of the European Union and other European countries with separate collection systems for this equipment) The symbol on the product or on its packaging indicates that this product should not be treated as normal household waste but taken to a collection point for the recycling of electrical and electronic equipment.

By contributing to the proper disposal of this product, you will protect the environment and health of your fellow men. The environment and health are endangered by improper disposal. Material recycling helps to reduce the consumption of raw materials.

For more information on the recycling of this product, please contact your local municipality, your local waste disposal authority or the shop where you purchased the product.

## INTRODUCTIE

Van harte gefeliciteerd met uw aankoop. Als uw filter eenmaal geïnstalleerd is kunt u de komende jaren genieten van helder water. AquaForte filters zijn zorgvuldig getest op veiligheid en gebruik. Echter, het niet volgen van de instructies en waarschuwingen kan leiden tot beschadigingen en/of persoonlijk letsel. Lees deze gebruiksaanwijzing goed en bewaar hem voor later gebruik.

## VEILIGHEIDSVOORSCHRIFTEN

Op stilstaand water, tuinvijvers en zwembijvers en in de nabijheid daarvan is het gebruik van het apparaat alleen toegestaan met een aardlekschakelaar met een uitschakelstroom tot 30 mA (volgens VDE 0100 delen 702 en 738).

Het toestel is niet geschikt voor gebruik in zwembaden, peuterbaden van welke aard dan ook en andere watermassa's waarin zich tijdens de werking mensen of dieren kunnen bevinden. Het is niet toegestaan het apparaat te gebruiken terwijl mensen of dieren zich in de gevarezone bevinden. Raadpleeg uw elektricien!

Dit apparaat is niet bedoeld voor gebruik door personen (inclusief kinderen) met verminderde lichamelijke, zintuiglijke of geestelijke vermogens, of gebrek aan ervaring en/of kennis, tenzij zij onder toezicht staan of instructies hebben gekregen betreffende het gebruik van het apparaat van een persoon die verantwoordelijk is voor hun veiligheid. Kinderen moeten onder toezicht staan om ervoor te zorgen dat zij niet met het toestel spelen.

- Doe voor iedere ingebruikname van het filter een visuele controle. Zet het filter niet in werking in geval van beschadigingen.
- Het filter dient alleen voor de in deze gebruiksaanwijzing aangegeven doeleinden gebruikt te worden.
- U bent verantwoordelijk voor de veiligheid in het werkgebied
- Als de kabel of de stekker door invloeden van buitenaf beschadigd is, mag de kabel niet worden gerepareerd, maar moet hij door een nieuwe worden vervangen. Deze werkzaamheden mogen alleen door een erkende elektricien worden uitgevoerd.
- De op het typeplaatje van het toestel aangegeven spanning van 230 VAC moet overeenkomen met de bestaande netspanning.
- Het toestel nooit aan het netsnoer optillen, vervoeren of vastmaken.
- Zorg ervoor dat de elektrische stekker aansluitingen zich in de overstromingsbestendige ruimte bevinden of tegen vocht beschermd zijn.
- Trek altijd eerst de stekker uit het stopcontact voordat u aan het apparaat gaat werken.
- Vermijd blootstelling van het toestel aan een directe waterstraal.
- De exploitant is verantwoordelijk voor de naleving van de plaatselijk geldende veiligheids- en installatievoorschriften. Raadpleeg zo nodig een elektrotechnisch specialist.
- De gebruiker dient passende maatregelen te nemen (b.v. installatie van een alarmsysteem, stand-by pomp, enz.) om gevolgschade door overstroming van ruimten in geval van een defect van het toestel te voorkomen.
- In geval van een defect aan het toestel mogen reparatiewerkzaamheden alleen worden uitgevoerd door een gekwalificeerde elektricien.
- Het toestel mag nooit drooglopen of worden gebruikt met de aanzuigleiding volledig gesloten. De garantie van de fabrikant vervalt bij schade aan het toestel veroorzaakt door drooglopen.

- Het apparaat mag niet worden gebruikt voor het filteren van zwembaden.
- Het toestel mag niet in het drinkwatercircuit worden geïnstalleerd.
- De eenheid wordt alleen buiten het water geïnstalleerd.
- De afstand van het toestel tot de vijver moet ten minste 2 m bedragen.
- Er moet voor worden gezorgd dat het toestel niet in het water kan vallen.
- Plaats het toestel zodanig dat het niet wordt blootgesteld aan direct zonlicht.
- Kort zo nodig de slangtules in naar gelang van de slangdiameter.
- Bevestig de slangen en slangklemmen.
- Hoewel ultraviolette straling de laagste energie van alle ioniserende straling uitstraalt, kan zij gevaarlijk zijn voor de mens en andere organismen. Zelfs UV-straling met een langere golflengte is in staat de chemische bindingen van organische moleculen te verbreken. Daarom is een verantwoorde omgang met technische UV-bronnen aan te bevelen.
- Gebruik de buis alleen in de gesloten, ongebroken behuizing.

**Lees alle veiligheidsvoorschriften en instructies.** Het niet in acht nemen van de veiligheidsinformatie en instructies kan leiden tot elektrische schokken, brand en/of ernstig letsel. Bewaar alle veiligheidsaankwijzingen en instructies voor toekomstig gebruik.

### Weerstand

- De temperatuur van de verpompte vloeistof mag in continubedrijf niet hoger zijn dan +35 °C.
- Deze pomp mag niet worden gebruikt voor het verpompen van ontvlambare, gasvormige of explosieve vloeistoffen. Deze pomp mag niet worden gebruikt voor andere vloeistoffen, vooral niet voor motorbrandstoffen, schoonmaakmiddelen en andere chemische producten!

### Elektrische aansluiting

De elektrische aansluiting geschiedt op een geaard stopcontact 230 V ~ 50 Hz. Minimale zekering 10 A.

- Er mag geen water bij het UV-C gedeelte komen! Filter dient op minimaal 2 mtr afstand van de vijver geplaatst te worden. De lamp kan niet onder water gebruikt worden.
- De stroomtoevoer van het UV-C gedeelte mag nooit door de watercirculatie ingeschakeld worden.
- Plaats het UV-C gedeelte op een veilige en stabiele plaats. Het kwartsglas van het UV-C gedeelte is n.l. breekbaar.
- Schakel stroom pas in, wanneer alle delen van het filter volledig zijn bevestigd.
- Als het kwartsglas of het bovenste stuk van het UV-C deel beschadigd zijn, kan het drukfilter niet gebruikt worden.
- Wanneer er mensen in het water zijn, kan het UV-C deel niet gebruikt worden.
- Zorg ervoor dat de gebruikte elektrische spanning en frequentie overeenkomen met de aanduiding op het filter.
- Bij de installatie van het toestel moeten de huishoudelijke installatievoorschriften in acht worden genomen.
- Trek niet aan de verbindingkabel. Houd de aansluitkabel uit de buurt van warmte, vet en scherpe voorwerpen.
- Zorg ervoor dat de bovenkant niet wordt blootgesteld aan een druk van van meer dan 0,3 bar.
- Verwijder het UV-C gedeelte wanneer er vorst verwacht wordt.
- Het UV-C gedeelte mag niet aan direct zonlicht blootgesteld worden.
- Vuil tast de werking van het kwartsglas aan. Reinig het daarom regelmatig.
- De UV-C lamp dient na 8000 bedrijfsuren vervangen te worden teneinde de werking van het UV-C gedeelte te behouden.
- UV-licht is schadelijk voor ogen en huid. Kijk alstublieft niet rechtstreeks in het UV-licht en stel uw huid niet bloot aan UV-

licht.

- Bij installatie of reparatie van het toestel dient u de stroomtoevoer naar de lamp en de pomp uit te schakelen.
- Het product moet horizontaal worden geïnstalleerd met de voeten naar beneden. Om veiligheidsredenen is het niet toegestaan het toestel op een andere manier te installeren.

## **TOEPASSINGSGEBIEDEN/FUNCTIONALITEIT**

Deze UV-C unit zorgt voor gezonde vissen en helder water. Het water wordt door een pomp door de UV-C-unit gepompt. Daar stroomt het langs een UV-lamp en wordt blootgesteld aan UV-C-straling, die de bacteriën, ziekteverwekkers en zweefalgen in het water vernietigt. Het water wordt daardoor helder.

Voor een optimaal resultaat moet het toestel tijdens het vorstvrije seizoen 24 uur per dag in werking zijn.

## **INBEDRIJFNAME**

Zet de pomp aan en wacht tot het apparaat met water gevuld is. Controleer alle verbindingen op lekkages. Zodra de stekker in het stopcontact zit, werkt het toestel.

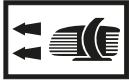
## **TECHNISCHE DATA**

MODEL	Vermogen (W)	Spanning (V) / Frequentie (Hz)	Visvijver tot (ℓ)	Siervijver tot (ℓ)	Aanbevolen debiet (ℓ/h)	Ingang/uitgang (mm)
GPF-2500	11	230 / 50	3000	6000	6000	19/25/33
GPF-5000	11	230 / 50	4000	8000	9000	19/25/32/40
GPF-10000	11	230 / 50	6000	12000	10000	19/25/32/40
GPF-15000	18	230 / 50	10000	30000	10000	19/25/32/40
GPF-20000	36	230 / 50	20000	40000	12000	32/38
GPF-30000	55	230 / 50	30000	60000	12000	32/38

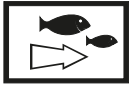
## **BEVEILIGING**

- Dit apparaat produceert schadelijke straling. Direct contact met huid en ogen is schadelijk en moet vermeden worden.
- Als het toestel beschadigd is, mag het niet worden gebruikt.
- Als er geen water wordt gepompt, moet de eenheid worden uitgeschakeld.
- In geval van vorst moet het toestel worden gedemonteerd en opgeslagen op een droge en vorstvrije plaats.

# GPF-2500/GPF-5000/GPF-10000/GPF-15000/GPF-20000/GPF-30000



Waterinlaat van de pomp in het filter



Retour/uitlaat naar de vijver



Reinigingsuitlaat van het filter naar het afvalwater of naar een bloembed

Deze drukfilters zijn een ideaal en goed werkend filtersysteem voor uw vijver. Voordelen t.o.v. traditionele filtersystemen:

- Groot reinigend vermogen
- Combinatie van mechanische en biologische filtering
- Effectieve filtermaterialen
- Geïntegreerde UV-C unit en vuilindicator
- Opvoerhoogte max 3 mtr (afhankelijk van de pomp)
- Installatie en onderhoud zijn zeer eenvoudig

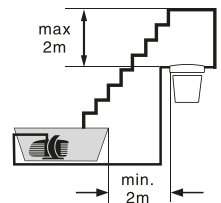
## FUNCTIES VAN DE DRUKFILTER

Het water wordt door het drukfilter in 3 fasen gereinigd:

1. **Mechanisch.** Zichtbare vuildeeltjes worden verwijderd door 3 lagen filtersponzen, gesorteerd van grof naar fijn.
2. **Biologisch.** Middels filter sponzen en bioballen (afhankelijk van het model) wordt de ontwikkeling van bio organismen gestimuleerd. Deze micro organismen verwijderen organische bestanddelen uit het water.
3. **UV-C behandeling van het water.** Zweekalgen en ziektekiemen worden door het UV-C licht gedood. Resultaat is **gezond water**.

## INGEBRUIKNAME

- Het drukfilter dient op tenminste 2 meter afstand van de vijver geplaatst te worden. De afvoer van het water terug naar de vijver moet max. 2 m boven het filterdeksel liggen (0,2 bar waterdruk!).
- Als eerste moet de pomp ingeschakeld worden. De UV-C lamp kan pas in gebruik genomen worden, wanneer er water langs stroomt. Gebruik het UV-C deel niet wanneer lamp of de aansluitingen beschadigd zijn, en/of wanneer er zich mensen in het water bevinden.
- De ingebouwde temperatuursensor zorgt ervoor dat de UV-C lamp bij oververhitting automatisch uitgeschakeld wordt. Zodra de lamp afgekoeld is, wordt deze automatisch weer ingeschakeld.
- AquaForte drukfilters worden compleet geleverd inclusief alle filtermaterialen. Spoel de filtermatten vóór gebruik zorgvuldig af met vijverwater. De bioballen (afhankelijk van het model) worden op de bodem van de filter geplaatst en het rooster met



de beschermbuis voor het UV-C-apparaat wordt er bovenop geplaatst. Leg de filtersponzen erop, olopend van fijn naar grof. Doe het deksel erop en sluit het filter met de bijgeleverde klem.

- Wanneer het filter correct is geïnstalleerd, is het waterdicht tot een werkdruk van ruim 0,5 bar. De voeding moet voorzien zijn van een aardlekschakelaar die niet groter is dan 30 mA.

### Montage van de slangtules/dop

Schuif de wartelmoer over de zwarte slangtule, steek de platte dichting in de wartelmoer en schroef hem op de waterinlaat slangtule en de wateruitloop slangtule. Schroef de afsluitdoppen met vlakke pakking op de reinigungsuitloop.

### Aansluiten van de watertoevoer

Sluit de pomp aan op de slangtule met de pijl in de richting van het filter. Gebruik een slangdiameter die gelijk is aan de diameter van de pompuitlaat. Snij de ongebruikte delen van de slangtule af.

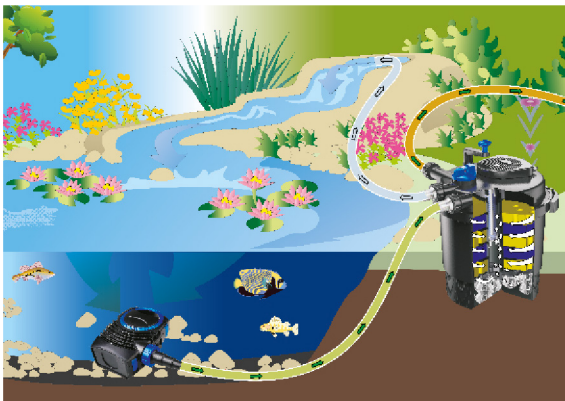
### Aansluiten van de waterafvoer

De slangtule met de pijl die van het filter weg wijst, is de afvoer naar de vijver. Sluit een geschikte slang aan op de grootste diameter van de uitloop en zaag de andere diameters af. Om te voorkomen dat de slangen losraken, bevestigt u slangklemmen.

### Aansluiten op de reinigungs aansluiting

Om een afvoerslang permanent op de reinigungs aansluiting ("Clean") te monteren, schroeft u de dop van de reinigungs aansluiting ("Clean"), monteert u de derde slangtule en sluit u een geschikte slang aan. Tijdens de werking van het filter moet de reinigungs aansluiting of een daarop aangesloten afvoerslang altijd worden afgesloten met een afsluitdop en een aangebrachte vlakke pakking als beveiliging voor het geval de functieschakelaar onbedoeld op "Reinigen" wordt gezet.

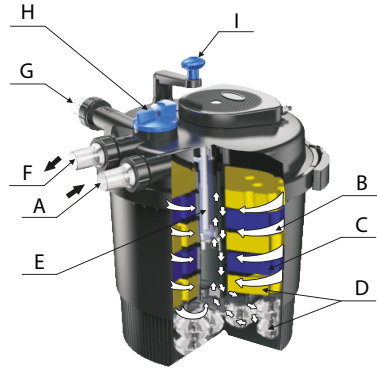
**Gebruik het toestel nooit zonder watertoevoer of zonder pompfilter.**





# WERKING VAN HET DRUKFILTER

De drukfilter met de geïntegreerde UV-C-lamp is een gesloten filtersysteem voor biologische en mechanische reiniging van vijverwater.



Onderstaande 30000 neemt GPF-20000 als voorbeeld.

Deel	Benaming	Toelichting
A	Waterinlaat	Middels een drukslang wordt pomp verbonden met de waterinlaat.
B	Vortex systeem	Met behulp van de centrifugaal- en zwaartekracht dringt het water de filtermedia binnen.
C	Mechanische Filter	Vuildeeltjes blijven steken bij het oppervlak van de filtersponzen, voordat het water verder het filter instroomt.
D	Biologische Reiniging	Micro-organismen vestigen zich op de poriën van de filtersponzen. De blauwe en gele filtersponzen verschillen in grootte en dichtheid. Hierdoor ontstaan zones waar het water met verschillende snelheden doorheen stroomt. De zones met een hoog debiet (blauwe filters) worden hoofdzakelijk gekoloniseerd door micro-organismen die ammonium omzetten in nitraat. In de zones waar het water sneller stroomt (gele filters), verzamelen zich hoofdzakelijk anaërobe micro-organismen die het nitraat tot stikstof reduceren.
E	Reiniging van het vijverwater	Het water dat het filter verlaat, wordt kort aan de ultraviolette stralen van de UV-C lamp blootgesteld. Kiemen, bacteriën en algen worden gedood. Het water circuleert van buiten naar binnen terwijl het door het filter stroomt.
F	Waterafvoer met flow indicator	Het gereinigde water stroomt terug in de vijver.
G	Afvoer voor spoelwater tijdens het reinigen (GPF-2500-5000-10000-15000-20000-30000)	
H	Functieschakelaar voor omschakelen tussen „filteren“ en „filter reinigen“	
I	Reinigingshendel (GPF-2500-5000-10000-15000-20000-30000)	

# REINIGEN VAN DE FILTERSPONZEN MET REINIGINGSHENDEL

**GPF-2500-5000-10000-15000-20000-30000**

- De filtersponzen worden gereinigd met behulp van de reinigingshendel. Het vuil wordt door de rotatie uit het filter geperst.
- Neem de volgende instructies in acht om ervoor te zorgen dat het water altijd optimaal gereinigd wordt:
  - Het filtersysteem moet 24 uur per dag ingeschakeld blijven.
  - De UV-C-lamp moet na 8000 bedrijfsuren worden vervangen om een optimale doeltreffendheid te garanderen. Het filtersysteem moet regelmatig worden gereinigd.

## AANSLUITEN VAN DE POMP

- Er bevinden zich 3 aansluitingen op het filterdeksel, voorzien van een slangtule:
  - De pomp wordt aan de eerste tulle aangesloten. Gebruik een slangdiameter die gelijk is aan de diameter van de pompuitlaat. Snij de diameter van de slangtule af die niet nodig is.
  - De slangtule in het midden van het deksel is de afvoer naar de vijver. Sluit een geschikte slang aan op de grootste diameter van de uitloop en zaag de andere diameters af. Gebruik slangklemmen om te voorkomen dat de slangen losraken.
- Gebruik het filter met het geïntegreerde UV-C nooit met een waterdruk van meer dan 0,2 bar! Het hoogteverschil tussen het filterdeksel en het drukvrije uittredepunt van de toevoerleiding mag niet meer dan 2 m bedragen. De afvoer van de pomp mag niet meer dan 0,5 bar bedragen. Gebruik het filter alleen met slangen die bestand zijn tegen een druk van ten minste 0,2 bar, max. de druk van de pomp.
- Zorg ervoor dat de afvoer in de vijver op een schone plaats zit. Als de afvoer verstopt is, kan dit leiden tot een hogere druk. Dit kan op zijn beurt leiden tot een lek in het filter en dus tot het volledig leeglopen van de vijver. Wanneer het filter in de "filter"-stand wordt gebruikt, moet erop worden gelet dat alle afdichtingen goed zijn aangebracht om te voorkomen dat de vijver leegloopt.
- Het afsluitdeksel fungeert ook als veiligheidsmaatregel in de "Clean"-modus. Zorg ervoor dat het filter altijd in de "Filter"-stand werkt zolang de pomp werkt. Het filter mag alleen op "Schoon" worden gezet wanneer de filtersponzen worden gereinigd.
- Voordat u het filter inschakelt, moet u controleren of alle slangen en afdichtingen goed op hun plaats zitten. Filter nooit andere vloeistoffen dan water.
- In geval van vorst moet het filter worden verwijderd. Stel het filter niet bloot aan direct zonlicht.
- Nadat het filter op de juiste plaats is geplaatst en de pomp is aangesloten, kan de ingebouwde UV-C-unit worden ingeschakeld.

## UV-C EENHEID

- De drukfilters worden compleet geleverd met een ingebouwde UV-C unit. De UV-C-lampen hebben ongeveer 8000 actieve branduren, wat overeenkomt met het seizoensgebruik van maart tot november. De UV-C-lampen kunnen gemakkelijk worden vervangen door de schroeven in het bolvormige gedeelte van het deksel los te draaien.
- Het verdient aanbeveling de UV-C-lamp aan het begin van een seizoen door een nieuwe te vervangen.

- De UV-C maakt groen water helder en bestrijdt ziektekiemen. De drukfilters hebben een aparte kamer, zodat de UV-C-stralen niet in contact komen met het filtermedium. Dit betekent dat de micro-organismen in het filtermateriaal niet worden beschadigd.

Drukfilters van de serie GPF-2500-5000-10000-15000-20000-30000 beschikken over een snelreinigingsfunctie middels een hendel. In plaats van de hierboven beschreven drukknop, draait u de zwengel tot de filtersponzen schoon zijn.

**We adviseren zowel filtermateriaal als lampen jaarlijks te vervangen om een goede werking van het filter te waarborgen.**

Bij normaal gebruik van het filter moet de "afvoeraansluiting" (C) worden afgesloten met de bij de levering inbegrepen schroefring met afdichting en kijkglas om druppelen van de aansluiting te voorkomen. De drukfiltermodellen van de GPF-2500-5000-10000- 15000-20000-30000-serie hebben een slangtule met geïntegreerde kogelkraan om de verbinding te sluiten.

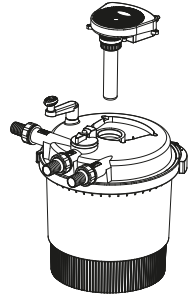
## **VERDERE NOTITIES:**

- Voor elke inbedrijfstelling van het filter moeten de afdichtingen en verbindingen worden gecontroleerd op correcte montage.
- Vijver drukfilters zijn alleen geschikt voor de filtratie van water met onzuiverheden die typisch zijn voor vijverwater.
- Stel het filter niet gedurende lange tijd bloot aan direct zonlicht.
- Bij vorst moet het filter volledig worden leeggemaakt, indien nodig worden uitgegraven en op een droge, vorstvrije plaats worden bewaard.
- Na werkzaamheden waarbij het deksel moet worden verwijderd, dient u er bij het terugplaatsen van het deksel op te letten dat de afdichtring goed op zijn plaats zit! Plaats de klemring rondom het deksel, druk het deksel aan en sluit de klem.

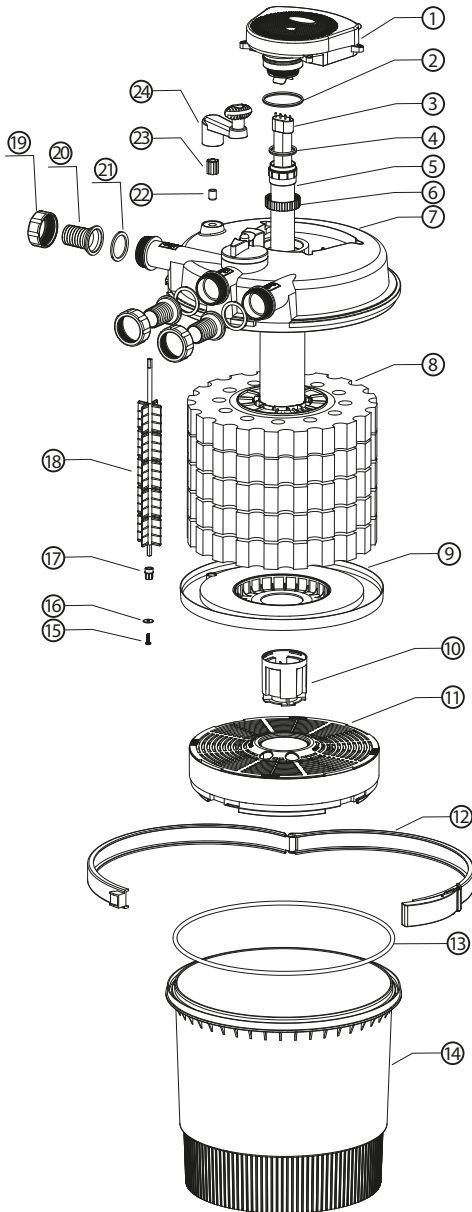
# VERVANGEN VAN DE LAMP

Wanneer het aantal algen toeneemt, kan dit erop duiden dat de UV-C lamp vervangen dient te worden. U kunt aan de UV-indicator zien of de lamp brandt. Vervang de lamp altijd na één seizoen!

- Koppel de UV-lamp en de pomp los van de stroomvoorziening voordat u ze vervangt.
- Draai de 4 schroeven van de UV-unit los van het deksel van de container.
- Verwijder de UV-unit voorzichtig.
- Nadat de UV-unit is afgekoeld en opgedroogd, pakt u de onderkant van de lamp (niet het glas!) met een zachte doek vast en trekt u deze voorzichtig uit de fitting.
- Houd de nieuwe lamp aan de basis vast met een zachte doek en steek hem voorzichtig in de fitting.
- Nu moet het kwartsglas waarin de lamp zich bevindt, worden gereinigd. Los daartoe de afgezette kalkaanslag op met geschikte middelen (koffiemachinerreiniger of waterontkalker zoals citroenzuur) terwijl u verwarmt. Zorg ervoor dat u daarna alle resten van het reinigingsmiddel van het kwartsglas verwijdert.
- Monteer na het spoelen alle onderdelen weer in omgekeerde volgorde. Sluit de pomp en het apparaat weer aan op het elektriciteitsnet.
- Voor alle onderhoudswerkzaamheden moet het UV-C-apparaat van het stroomnet worden losgekoppeld!
- Ingebruikneming alleen als het UV-C-systeem VOLLEDIG gemonteerd is!
- Breng GEEN wijzigingen aan in een draaiende UV-C-eenheid!
- Het UV-C-apparaat mag NIET door de kabel worden gedragen!
- Plaats het UV-C-apparaat altijd buiten de vijver (nooit in het water)!
- Als er vorst is, moet u het UV-C-apparaat verwijderen!



# ONDERDELENOVERZICHT



1	UV-kop
2	Ring
3	UV lamp
4	O-ring 1
5	Kwartsglazen buis
6	Bevestigingsmoer
7	Deksel
8	Spons
9	Afzonderlijke plaat
10	Oml leidingspijp
11	Filterkorf
12	Klemring
13	O-ring 2
14	Behuizing
15	Schroef
16	Sluitring
17	Lager
18	Reinigingsmechaniek
19	Inlaat & Uitlaat moer
20	Inlaat & Uitlaat
21	Pakking
22	Bovenste lager
23	Schachtaansluiting
24	Reinigingshandvat

## VERORDENINGEN INZAKE VERWIJDERING



De EU-richtlijn betreffende de verwijdering van afgedankte elektrische en elektronische apparatuur (AEEA, 2012/19/EU) is ten uitvoer gelegd met de Wet elektrische en elektronische apparatuur.

Verwijdering van gebruikte elektrische en elektronische apparatuur (te gebruiken in de landen van de Europese Unie en andere Europese landen met een afzonderlijk inzamelingsstelsel voor deze apparatuur). Het symbool op het product of op de verpakking geeft aan dat dit product niet als normaal huishoudelijk afval mag worden behandeld, maar naar een inzamelpunt voor de recycling van elektrische en elektronische apparatuur moet worden gebracht.

Door bij te dragen aan de correcte verwijdering van dit product, beschermt u het milieu en de gezondheid van je medemensen. Het milieu en de gezondheid worden in gevaar gebracht door onjuiste verwijdering. Materiaalrecycling helpt het verbruik van grondstoffen te verminderen.

Voor meer informatie over het recyclen van dit product kunt u contact opnemen met uw gemeente, uw plaatselijke afvalverwerkingsbedrijf of de winkel waar u het product hebt gekocht.

## EINFÜHRUNG

Herzlichen Glückwunsch zu Ihrem Kauf. Sobald Ihr Filter installiert ist, können Sie jahrelang klares Wasser genießen. Aqua-Forte-Filter werden sorgfältig auf Sicherheit und Gebrauch getestet. Die Nichtbeachtung der Anweisungen und Warnhinweise kann jedoch zu Schäden und/oder Verletzungen führen. Lesen Sie dieses Handbuch sorgfältig durch und bewahren Sie es zum späteren Nachschlagen auf.

## SICHERHEITSVORSCHRIFTEN

An stehenden Gewässern, Gartenteichen und Schwimmteichen sowie in deren Nähe ist der Betrieb des Gerätes nur mit einer Fehlerstrom-Schutzeinrichtung mit einem Auslösestrom von bis zu 30 mA (nach VDE 0100 Teil 702 und 738) zulässig.

Das Gerät ist nicht für den Einsatz in Schwimmbecken, Planschbecken jeglicher Art und anderen Gewässern geeignet, in denen sich während des Betriebs Menschen oder Tiere aufhalten können. Das Gerät darf nicht in Betrieb genommen werden, wenn sich Menschen oder Tiere im Gefahrenbereich befinden. Wenden Sie sich an Ihren Elektriker!

Dieses Gerät ist nicht dafür bestimmt, durch Personen (einschließlich Kinder) mit eingeschränkten physischen, sensorischen oder geistigen Fähigkeiten oder mangels Erfahrung und/oder mangels Wissen benutzt zu werden, es sei denn, sie werden durch eine für ihre Sicherheit zuständige Person beaufsichtigt oder erhalten von ihr Anweisungen, wie das Gerät zu benutzen ist. Kinder sollten beaufsichtigt werden, um sicherzustellen, dass sie nicht mit dem Gerät spielen.

- Führen Sie vor der Inbetriebnahme des Filters eine Sichtprüfung durch. Nehmen Sie den Filter nicht in Betrieb, wenn er beschädigt ist.
- Der Filter darf nur für die in dieser Gebrauchsanweisung genannten Zwecke verwendet werden.
- Sie sind für die Sicherheit in Ihrem Arbeitsbereich selbst verantwortlich.
- Wenn das Kabel oder der Stecker durch äußere Einflüsse beschädigt ist, darf das Kabel nicht repariert, sondern muss durch ein neues ersetzt werden. Diese Arbeiten dürfen nur von einer Elektrofachkraft durchgeführt werden.
- Die auf dem Typenschild des Gerätes angegebene Spannung von 230 VAC muss mit der vorhandenen Netzspannung übereinstimmen.
- Heben Sie das Gerät niemals an seinem Netzkabel an, tragen Sie es nicht und befestigen Sie es nicht daran.
- Achten Sie darauf, dass sich die elektrischen Steckverbindungen im überflutungssicheren Raum befinden und vor Feuchtigkeit geschützt sind.
- Ziehen Sie immer den Netzstecker, bevor Sie an dem Gerät arbeiten.
- Vermeiden Sie es, das Gerät einem direkten Wasserstrahl auszusetzen.
- Der Betreiber ist für die Einhaltung der örtlich geltenden Sicherheits- und Installationsvorschriften verantwortlich. Ziehen Sie ggf. einen Fachmann für Elektrotechnik hinzu.
- Der Benutzer muss geeignete Maßnahmen (z. B. Installation einer Alarmanlage, Reservepumpe usw.) ergreifen, um Folgeschäden durch Überflutung von Räumen im Falle einer Fehlfunktion des Geräts zu vermeiden.
- Im Falle eines Defekts am Gerät dürfen Reparaturarbeiten nur von einer Elektrofachkraft durchgeführt werden.
- Das Gerät darf niemals trocken laufen oder mit vollständig geschlossener Saugleitung betrieben werden. Die Garantie des Herstellers erlischt, wenn das Gerät unsachgemäß genutzt oder durch Trockenlauf beschädigt wird.
- Das Gerät darf nicht zum Filtern von Schwimmbecken verwendet werden.

- Das Gerät darf nicht im Trinkwasserkreislauf installiert werden.
- Das Gerät darf nur außerhalb des Wassers installiert werden.
- Der Abstand zwischen dem Gerät und dem Teich muss mindestens zwei Meter betragen.
- Es muss sichergestellt sein, dass das Gerät nicht ins Wasser fallen kann.
- Stellen Sie das Gerät so auf, dass es nicht der direkten Sonneneinstrahlung ausgesetzt ist.
- Kürzen Sie ggf. die Schlauchtüllen entsprechend dem Schlauchdurchmesser.
- Befestigen Sie die Schläuche und Schlauchschellen.
- Obwohl ultraviolette Strahlung die geringste Energie aller ionisierenden Strahlen hat, kann sie für Menschen und andere Organismen gefährlich sein. Auch UV-Strahlung mit einer längeren Wellenlänge ist in der Lage, die chemischen Bindungen organischer Moleküle aufzubrechen. Daher wird ein verantwortungsvoller Umgang mit technischen UV-Quellen empfohlen.
- Verwenden Sie den Filter nur mit einem geschlossenen, unversehrten Gehäuse

**Lesen Sie alle Sicherheitshinweise und Anweisungen.** Die Nichtbeachtung der Sicherheitshinweise und Anweisungen kann zu einem elektrischen Schlag, Brand und/oder schweren Verletzungen führen. Bewahren Sie alle Sicherheitshinweise und Anweisungen zum späteren Nachschlagen auf.

### Widerstand

- Die Temperatur der gepumpten Flüssigkeit darf im Dauerbetrieb +35 °C nicht überschreiten.
- Diese Filter darf nicht zum Klären von brennbaren, gasförmigen oder explosiven Flüssigkeiten verwendet werden. Dieser Filter darf nicht für andere Flüssigkeiten, insbesondere Kraftstoffe, Reinigungsmittel und andere chemische Produkte, verwendet werden!

### Elektrischer Anschluss

Der elektrische Anschluss erfolgt an einer geerdeten Steckdose 230 V ~ 50 Hz. Mindestabsicherung 10 A.

- Es darf kein Wasser in den UVC-Bereich gelangen! Der Filter muss mindestens in einen Abstand zum Teich von 2 Metern aufgestellt werden. Die Lampe kann nicht unter Wasser verwendet werden.
- Die Stromversorgung des UVC-Teils darf niemals durch den Wasserkreislauf eingeschaltet werden.
- Stellen Sie den Filter an einem sicheren und stabilen Ort auf. Das Quarzglas des UVC-Gerätes ist zerbrechlich.
- Schalten Sie den Strom erst dann ein, wenn alle Teile des Filters vollständig befestigt sind.
- Wenn das Quarzglas oder der obere Teil des UVC-Gerätes beschädigt ist, darf der Druckfilter nicht verwendet werden.
- Wenn sich Menschen im Wasser befinden, kann das UVC-Gerät nicht verwendet werden.
- Vergewissern Sie sich, dass die verwendete elektrische Spannung und Frequenz mit den Angaben auf dem Filter übereinstimmen.
- Bei der Installation des Geräts müssen die Hausinstallationsvorschriften beachtet werden.
- Ziehen Sie nicht am Anschlusskabel. Halten Sie das Anschlusskabel von Hitze, Fett und scharfen Gegenständen fern.
- Achten Sie darauf, dass der Deckel keinem Druck von mehr als 0,3 Bar ausgesetzt ist.
- Entfernen Sie die UVC-Geräte aus dem Filter, wenn Frost zu erwarten ist.
- Das UVC-Gerät darf nicht dem direkten Sonnenlicht ausgesetzt werden.
- Verschmutzungen und Kalk beeinträchtigen die Funktion des Quarzglases. Reinigen und entkalken Sie dies daher regelmäßig.
- Die UVC-Lampe sollte nach ca. 8000 Betriebsstunden ausgetauscht werden, um die Funktion des UVC Lichtes zu erhalten.
- UV-Licht ist schädlich für die Augen und die Haut. Bitte schauen Sie nicht direkt in das UV-Licht und setzen Sie Ihre Haut nicht



dem UV-Licht aus.

- Schalten Sie bei der Installation oder Reparatur des Geräts die Stromzufuhr zur Lampe und zur Pumpe aus.
- Das Produkt muss waagrecht mit den Füßen nach unten aufgestellt werden. Aus Sicherheitsgründen ist es nicht erlaubt, das Gerät auf andere Weise zu installieren.

## ANWENDUNGSBEREICHE/FUNKTIONALITÄT

Dieses UVC-Gerät sorgt für gesunde Fische und klares Wasser. Das Wasser wird mit einer Pumpe durch das UVC-Gerät gepumpt. Dort fließt es an einer UV-Lampe vorbei und wird der UVC-Strahlung ausgesetzt, die die im Wasser befindlichen Bakterien, Krankheitserreger und Schwebelgen abtötet. Das Wasser wird dadurch klar.

Die besten Ergebnisse werden erzielt, wenn das Gerät während der frostfreien Jahreszeit 24 Stunden täglich betrieben wird.

## IN BETRIEBNAHME

Schalten Sie die Pumpe ein und warten Sie, bis sich das Gerät mit Wasser füllt. Prüfen Sie alle Anschlüsse auf Dichtheit. Sobald der Stecker in der Steckdose steckt, ist das Gerät betriebsbereit.

## TECHNISCHE DATEN

MODELL	Leistung (W)	Spannung (V) / Frequenz (Hz)	Max. Teich- volumen (ℓ)	Max. Zierteich- volumen (ℓ)	Empf. Durch- flussmenge (ℓ/h)	Eintritt/ Aus- tritt (mm)
GPF-2500	11	230 / 50	3000	6000	6000	19/25/33
GPF-5000	11	230 / 50	4000	8000	9000	19/25/32/40
GPF-10000	11	230 / 50	6000	12000	10000	19/25/32/40
GPF-15000	18	230 / 50	10000	30000	10000	19/25/32/40
GPF-20000	36	230 / 50	20000	40000	12000	32/38
GPF-30000	55	230 / 50	30000	60000	12000	32/38

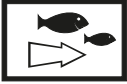
## SICHERHEIT

- Dieses Gerät erzeugt schädliche UV Strahlung. Der direkte Kontakt mit Haut und Augen ist schädlich und sollte vermieden werden.
- Wenn das Gerät beschädigt ist, darf es nicht verwendet werden.
- Wenn kein Wasser gepumpt wird, muss das Gerät ausgeschaltet werden.
- Bei Frost sollte das Gerät demontiert und an einem trockenen und frostfreien Ort gelagert werden.

# GPF-2500/GPF-5000/GPF-10000/GPF-15000/GPF-20000/GPF-30000



Wasserzulauf von der Pumpe zum Filter



Rücklauf/Auslauf zum Teich



Reinigung des Auslasses des Filters in das Abwasser oder in ein Blumenbeet

Diese Druckfilter sind ein ideales und gut funktionierendes Filtersystem für Ihren Teich. Vorteile gegenüber herkömmlichen Filtersystemen:

- Große Reinigungskraft
- Kombination von mechanischer und biologischer Filtration
- Wirksame Filtermaterialien
- Integrierte UVC-Einheit und Schmutzanzeige
- Max.3 Meter Förderhöhe (abhängig von der Pumpe)
- Installation und Wartung sind sehr einfach

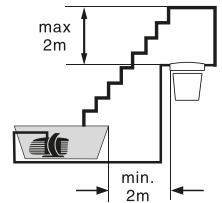
## FUNKTION DES DRUCKFILTERS

Das Wasser wird durch den Druckfilter in mehreren Stufen gereinigt:

1. **Mechanisch.** Sichtbare Schmutzpartikel werden durch 3 Schichten von Filterschwämmen entfernt, die von grob nach fein sortiert sind.
2. **Biologisch.** Durch Filterschwämmen und Biokugeln (je nach Modell) wird die Entwicklung von Bioorganismen angeregt. Diese Mikroorganismen entfernen organische Bestandteile aus dem Wasser.
3. **UVC-Wasserbehandlung.** Schwebealgen und Keime werden durch das UVC-Licht abgetötet. Das Ergebnis ist **gesundes und klares Wasser**.

## VERWENDUNG

- Der Druckfilter sollte mindestens 2 Meter vom Teich entfernt aufgestellt werden. Der Abfluss des Wassers zurück in den Teich sollte max. 2 Meter über dem Filterdeckel liegen (0,2 bar Wasserdruck!).
- Zunächst einmal muss die Pumpe eingeschaltet werden. Die UVC-Lampe kann nur in Betrieb genommen werden, wenn Wasser an ihr vorbeifließt. Verwenden Sie das UVC-Gerät nicht, wenn die Lampe oder die Anschlüsse beschädigt sind und/oder wenn sich Personen im Wasser befinden.
- Der eingebaute Temperatursensor sorgt dafür, dass die UVC-Lampe bei Überhitzung automatisch abgeschaltet wird. Sobald die Lampe abgekühlt ist, schaltet sie sich automatisch wieder ein.
- AquaForte Druckfilter werden komplett mit allen Filtermaterialien geliefert. Spülen Sie die Filtermatten vor dem Gebrauch



sorgfältig mit Teichwasser aus. Die Biokugeln (je nach Modell) werden auf dem Boden des Filters platziert und das Gitter mit dem Schutzrohr für das UVC-Gerät wird oben aufgesetzt. Legen Sie die Filterschwämme von fein nach grob darauf. Setzen Sie den Deckel auf und verschließen Sie den Filter mit der mitgelieferten Klemme.

- Bei korrektem Einbau ist der Filter bis zu einem Betriebsdruck von mehr als 0,5 Bar wasserdicht. Die Stromversorgung muss mit einem Fehlerstromschutzschalter ausgestattet sein, der 30 mA nicht überschreitet.

### Montage der Schlauchtüllen/-kappen

Schieben Sie die Überwurfmutter über die schwarze Schlauchtülle, setzen Sie die Flachdichtung in die Überwurfmutter ein und schrauben Sie sie auf die Tülle des Wasserzulaufschlauchs und die Tülle des Wasserablaufschlauchs. Schrauben Sie die Verschlusskappen mit Flachdichtung auf den Reinigungsstutzen.

### Anschluss an die Wasserversorgung

Schließen Sie die Pumpe an den Schlauchtülle an, wobei der Pfeil zum Filter zeigt. Verwenden Sie einen Schlauchdurchmesser, der dem Durchmesser des Pumpenauslasses entspricht. Schneiden Sie die nicht benötigten Teile der Tülle ab.

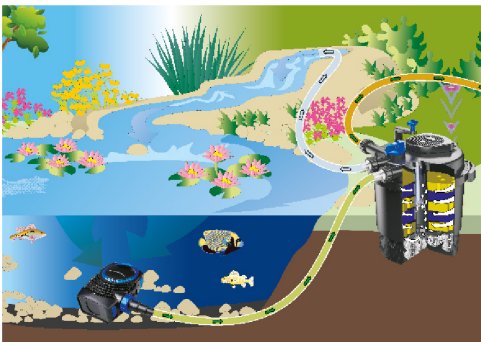
### Anschluss des Wasserauslasses

Die Schlauchtülle mit dem Pfeil, der vom Filter weg zeigt, ist der Rücklauf zum Teich. Schließen Sie einen geeigneten Schlauch an den größten Durchmesser des Auslasses an und schneiden Sie die anderen Durchmesser der Tülle ab. Um zu verhindern, dass sich die Schläuche lösen, bringen Sie Schlauchschellen an.

### Anschließen an den Reinigungsanschluss

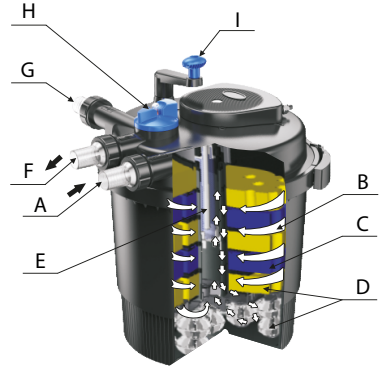
Um einen Ablaufschlauch dauerhaft an den Reinigungsanschluss ("Clean") anzuschließen, schrauben Sie die Kappe vom Reinigungsanschluss ("Clean") ab, montieren den dritten Schlauchnippel und schließen einen geeigneten Schlauch an. Während des Filterbetriebs muss der Reinigungsanschluss oder ein daran angeschlossener Abflussschlauch immer mit einer Kappe und einer aufgebrauchten Flachdichtung verschlossen werden, falls der Funktionsschalter versehentlich auf "Clean" gestellt wird.

**Betreiben Sie das Gerät niemals ohne Wasserversorgung oder ohne Pumpenfilter.**



# BETRIEB DES DRUCKFILTERS

Der Druckfilter mit integrierter UVC-Einheit ist ein geschlossenes Filtersystem zur biologischen und mechanischen Teichwasserreinigung.



Im Folgenden wird 30000GPF-20000 als Beispiel herangezogen.

Teil	Bezeichnung	Funktion
A	Wasserzulauf	Ein Druckschlauch verbindet die Pumpe mit dem Wassereinfluss.
B	Vortex-System	Mit Hilfe der Zentrifugal- und Schwerkraftkräfte dringt das Wasser in die Filtermedien ein.
C	Mechanischer Filter	Die Schmutzpartikel bleiben an der Oberfläche der Filterschwämme hängen, bevor das Wasser weiter durch den Filter fließt.
D	Biologische Reinigung	In den Poren der Filterschwämme siedeln sich Mikroorganismen an. Die blauen und gelben Filterschwämme unterscheiden sich in Größe und Dichte. Dadurch entstehen Zonen, durch die das Wasser mit unterschiedlicher Geschwindigkeit fließt. Die Zonen mit hoher Durchflussrate (blaue Filter) werden hauptsächlich von Mikroorganismen besiedelt, die Ammonium in Nitrat umwandeln. In den schneller durchströmten Zonen (gelbe Filter) sammeln sich hauptsächlich anaerobe Mikroorganismen. Mikroorganismen, die Nitrat zu Stickstoff umwandeln.
E	Reinigung des Teichwassers	Das Wasser, das den Filter verlässt, wird kurz den ultravioletten Strahlen der UVC-Lampe ausgesetzt. Keime, Bakterien und Algen werden abgetötet. Das Wasser zirkuliert von außen nach innen, während es durch den Filter fließt.
F	Wasserauslass mit Durchflussanzeige	Das gereinigte Wasser fließt zurück in den Teich.
G	Abfluss für Spülwasser bei der Reinigung (GPF-2500-5000-10000-15000-20000-30000)	
H	Funktionsschalter zum Umschalten zwischen "Filter" und "Reinigen".	
I	Reinigungsgriff (GPF-2500-5000-10000-15000-20000-30000)	

# REINIGUNG DER FILTERSCHWÄMME MIT REINIGUNGSEBEL

**GPF-2500-5000-10000-15000-20000-30000**

- Die Filterschwämme werden mit dem Reinigungshebel gereinigt. Durch die Rotation wird der Schmutz aus dem Filter gedrückt.
- Bitte beachten Sie die folgenden Hinweise, damit das Wasser immer optimal gereinigt wird:
  - Die Filteranlage sollte 24 am Tag eingeschaltet bleiben.
  - Die UVC-Lampe sollte nach ca. 8000 Betriebsstunden ausgetauscht werden, um eine optimale Wirksamkeit zu gewährleisten. Das Filtersystem sollte regelmäßig gereinigt werden.

## ANSCHLUSS DER PUMPE

- Am Filterdeckel befinden sich 3 Anschlüsse mit einer Schlauchtülle:
  - Die Pumpe sollte mit der ersten Tülle verbunden werden. Verwenden Sie einen Schlauchdurchmesser, der dem Durchmesser des Pumpenauslasses entspricht. Schneiden Sie den Durchmesser der Tülle ab, der nicht benötigt wird, um keinen unnötigen Druck zu produzieren.
  - Die Schlauchtülle in der Mitte der Abdeckung ist der Rücklauf zum Teich. Schließen Sie einen geeigneten Schlauch an den größten Durchmesser des Auslasses an und schneiden Sie die anderen Durchmesser ab. Verwenden Sie Schlauchschellen, damit sich die Schläuche nicht lösen können.
- Betreiben Sie den Filter mit dem integrierten UVC niemals mit einem Wasserdruck von mehr als 0,2 Bar! Der Höhenunterschied zwischen dem Filterdeckel und dem drucklosen Ausgang der Versorgungsleitung darf 2 M nicht überschreiten. Der Auslass der Pumpe darf 0,5 bar nicht überschreiten. Verwenden Sie den Filter nur mit Schläuchen, die einem Druck von mindestens 0,2 Bar, max. dem Druck der Pumpe, standhalten.
- Achten Sie darauf, dass der Abfluss im Teich an einer sauberen Stelle ist. Wenn der Abfluss verstopft ist, kann dies zu einem erhöhten Druck führen. Dies wiederum kann zu einer Undichtigkeit des Filters und damit zur vollständigen Entleerung des Teiches führen. Wenn Sie den Filter in der Position "Filter" betreiben, achten Sie bitte darauf, dass alle Dichtungen vorhanden sind, um ein Entleeren des Teiches zu verhindern.
- Die Verschlusskappe dient auch als Sicherheitsmaßnahme im "Clean"-Modus. Achten Sie darauf, dass der Filter immer in der Stellung "Filter" funktioniert, solange die Pumpe in Betrieb ist. Der Filter darf nur auf "Clean" gestellt werden, wenn die Filterschwämme gereinigt werden.
- Prüfen Sie vor dem Einschalten des Filters, ob alle Schläuche und Dichtungen korrekt angebracht sind. Filtern Sie niemals andere Flüssigkeiten als Wasser.
- Im Falle von Frost muss der Filter demontiert werden. Setzen Sie den Filter nicht dem direkten Sonnenlicht aus.
- Nachdem der Filter an der richtigen Stelle platziert und die Pumpe angeschlossen wurde, kann die eingebaute UVC-Einheit eingeschaltet werden.

## UVC-EINHEIT

- Die Druckfilter werden komplett mit einer eingebauten UVC-Einheit geliefert. Die UVC-Lampen haben etwa 8000 aktive Brennstunden, was der saisonalen Nutzung von März bis November entspricht. Die UVC-Lampen können durch Lösen der Schrauben im kugelförmigen Teil der Abdeckung leicht ausgetauscht werden.

- Wir empfehlen, die UVC-Lampe zu Beginn der Saison durch eine neue Lampe zu ersetzen.
- Das UVC Licht klärt grünes Wasser und bekämpft Keime. Die Druckfilter haben eine separate Kammer, damit die UVC-Strahlen nicht mit dem Filtermedium in Berührung kommen. Das bedeutet, dass die Mikroorganismen im Filtermaterial nicht geschädigt werden.

Die Druckfilter der Serie GPF-2500-5000-10000-15000-20000-30000 verfügen über eine Schnellreinigungsfunktion mittels eines Hebels. Anstelle des oben beschriebenen Druckknopfes drehen Sie die Kurbel, bis die Filterschwämme sauber sind.

**Wir empfehlen, sowohl das Filtermaterial als auch die Lampen jährlich zu wechseln, um einen ordnungsgemäßen Filterbetrieb zu gewährleisten.**

Bei normalem Gebrauch des Filters sollte der "Ablassanschluss" (C) mit dem mitgelieferten Dichtungsring verschlossen werden. Inklusive Schraubring mit Dichtung und Schauglas, um ein Nachtropfen aus dem Anschluss zu verhindern. Die Druckfiltermodelle der Serien GPF-2500-5000-10000-15000-20000-30000 verfügen über eine Schlauchtülle mit integriertem Kugelhahn zum Verschließen der Verbindung.

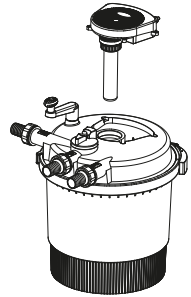
## **WEITERE ANMERKUNGEN:**

- Vor jeder Inbetriebnahme des Filters müssen die Dichtungen und Anschlüsse auf korrekte Montage überprüft werden.
- Teichdruckfilter sind nur für die Filtration von Wasser mit teichtypischen Verunreinigungen geeignet.
- Setzen Sie den Filter nicht über längere Zeit dem direkten Sonnenlicht aus.
- Bei Frost ist der Filter vollständig zu entleeren, ggf. auszugraben und an einem trockenen, frostfreien Ort zu lagern.
- Nach allen Arbeiten, bei denen der Deckel abgenommen werden muss, ist darauf zu achten, dass der Dichtungsring beim Wiedereinsetzen des Deckels vorhanden und korrekt montiert ist! Legen Sie den Klemmring um den Deckel, drücken Sie den Deckel herunter und schließen Sie die Klammer.

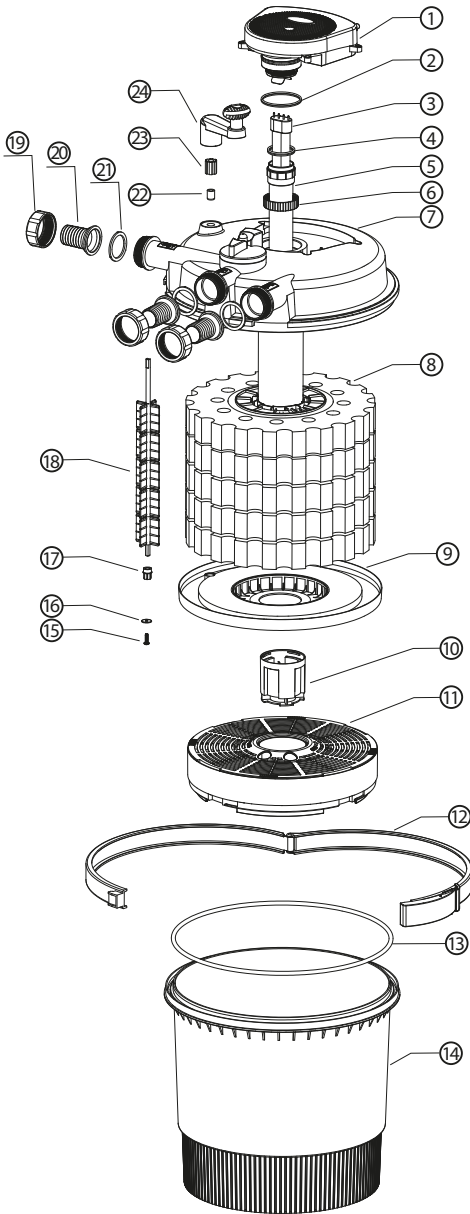
# AUSWECHSELN DES LEUCHTMITTEL

Wenn die Anzahl der Algen zunimmt, kann dies ein Hinweis darauf sein, dass die UVC-Lampe ausgetauscht werden muss. Ob die Lampe leuchtet, können Sie an der UV-Anzeige erkennen. Tip: Ersetzen Sie die Lampe nach einer Saison!

- Trennen Sie die UV-Lampe und die Pumpe vom Stromnetz, bevor Sie sie austauschen.
- Lösen Sie die 4 Schrauben der UV-Einheit vom Filterdeckel.
- Nehmen Sie die UV-Einheit vorsichtig heraus.
- Nachdem das UV-Gerät abgekühlt und getrocknet ist, fassen Sie die Unterseite der Lampe (nicht das Glas!) mit einem weichen Tuch an und ziehen sie vorsichtig aus der Fassung.
- Halten Sie die neue Lampe an ihrem Sockel mit einem weichen Tuch fest und setzen Sie sie vorsichtig in die Fassung ein.
- Nun muss das Quarzglas, in dem sich die Lampe befindet, gereinigt werden. Lösen Sie den abgelagerten Kalk mit geeigneten Mitteln (Kaffeemaschinenreiniger oder Wasserentkalker wie z.B. Zitronensäure oder Essig) auf. Achten Sie anschließend darauf, dass Sie alle Spuren des Reinigungsmittels von dem Quarzglas entfernen vor dem Einsetzen.
- Bauen Sie nach dem Spülen alle Teile in umgekehrter Reihenfolge wieder zusammen. Schließen Sie die Pumpe und das Gerät wieder an das Stromnetz an.
- Vor allen Wartungsarbeiten muss das UVC-Gerät vom Netz getrennt werden!
- Die Inbetriebnahme darf nur erfolgen, wenn die UVC-Anlage VOLLSTÄNDIG montiert ist!
- Nehmen Sie KEINE Änderungen an einem laufenden UVC-Gerät vor!
- Das UVC-Gerät darf NICHT am Kabel getragen werden!
- Stellen Sie das UVC-Gerät immer außerhalb des Teiches auf (niemals im Wasser)!
- Bei Frost sollten Sie das UVC-Gerät entfernen!



# ERSATZTEILLISTE



1	UV-Kopf
2	Ring
3	UVC-Lampe
4	O-Ring 1
5	Quarzglas
6	Befestigungs- mutter
7	Deckel
8	Schwamm
9	Separate Platte
10	Bypass-Rohr
11	Filterkorb
12	Schelle
13	O-Ring 2
14	Behälter
15	Schraube
16	Unterlegscheibe
17	Lager unten
18	Zahnradatz reinigen
19	Einlass&Auslass Mutter
20	Einlass & Auslass Tülle
21	Dichtung für Tülle
22	Oberes Lager
23	Schachtanschluss
24	Reinigungsgriff



# ENTSORGUNGSVORSCHRIFTEN



Die EU-Richtlinie über die Entsorgung von Elektro- und Elektronik-Altgeräten (WEEE, 2012/19/EU) wurde durch das Elektro- und Elektronikgerätegesetz umgesetzt.

Entsorgung von Elektro- und Elektronik-Altgeräten (zu verwenden in den Ländern der Europäischen Union und anderen europäischen Ländern mit getrennten Sammelsystemen für diese Geräte) Das Symbol auf dem Produkt oder auf der Verpackung weist darauf hin, dass dieses Produkt nicht als normaler Haushaltsabfall behandelt werden darf, sondern bei einer Sammelstelle für das Recycling von elektrischen und elektronischen Geräten abgegeben werden muss.

Indem Sie zur ordnungsgemäßen Entsorgung dieses Produkts beitragen, schützen Sie die Umwelt und die Gesundheit Ihrer Mitmenschen. Umwelt und Gesundheit werden durch unsachgemäße Entsorgung gefährdet. Materialrecycling trägt dazu bei, den Verbrauch von Rohstoffen zu verringern.

Für weitere Informationen zum Recycling dieses Produkts wenden Sie sich bitte an Ihre Gemeinde, die örtliche Abfallentsorgungsbehörde oder das Geschäft, in dem Sie das Produkt gekauft haben.

## INTRODUCTION

Félicitations pour votre achat. Une fois votre filtre installé, vous pourrez profiter d'une eau claire pendant des années. Les filtres AquaForte sont soigneusement testés pour leur sécurité et leur utilisation. Toutefois, le non-respect des instructions et des avertissements peut entraîner des dommages et/ou des blessures. Lisez attentivement ce manuel et conservez-le pour toute référence ultérieure.

## RÈGLES DE SÉCURITÉ

Sur les eaux stagnantes, les étangs de jardin et les étangs de baignade, ainsi qu'à proximité de ceux-ci, le fonctionnement de l'appareil n'est autorisé qu'avec un dispositif à courant résiduel avec un courant de déclenchement de 30 mA maximum (selon VDE 0100 parties 702 et 738).

L'appareil ne convient pas à une utilisation dans les piscines, les pataugeoires de toute sorte et autres plans d'eau dans lesquels des personnes ou des animaux peuvent être présents pendant le fonctionnement. Il est interdit d'utiliser l'appareil lorsque des personnes ou des animaux se trouvent dans la zone de danger. Consultez votre électricien !

Cet appareil n'est pas destiné à être utilisé par des personnes (y compris les enfants) dont les capacités physiques, sensorielles ou mentales sont réduites, ou qui manquent d'expérience et/ou de connaissances, à moins qu'elles n'aient reçu une surveillance ou des instructions concernant l'utilisation de l'appareil par une personne responsable de leur sécurité. Les enfants doivent être surveillés pour s'assurer qu'ils ne jouent pas avec l'appareil.

- Avant de mettre le filtre en service, effectuez un contrôle visuel. Ne mettez pas le filtre en service s'il est endommagé.
- Le filtre doit être utilisé uniquement aux fins spécifiées dans ce mode d'emploi.
- Vous êtes responsable de la sécurité sur le lieu de travail
- Si le câble ou la fiche sont endommagés en raison d'influences extérieures, le câble ne doit pas être réparé mais remplacé par un nouveau. Ce travail ne doit être effectué que par un électricien qualifié.
- La tension de 230 VAC indiquée sur la plaque signalétique de l'appareil doit correspondre à la tension du réseau existant.
- Ne soulevez, ne portez et ne fixez jamais l'appareil par son câble d'alimentation.
- Veillez à ce que les connexions électriques soient situées dans une pièce à l'abri des inondations ou à l'abri de l'humidité.
- Débranchez toujours la fiche secteur avant de travailler sur l'appareil.
- Évitez d'exposer l'appareil à un jet d'eau direct.
- L'opérateur est responsable du respect des règles de sécurité et d'installation applicables localement. Si nécessaire, consultez un spécialiste en génie électrique.
- L'utilisateur doit prendre les mesures appropriées (par exemple, installation d'un système d'alarme, d'une pompe de secours, etc.) pour éviter les dommages consécutifs à l'inondation des locaux en cas de dysfonctionnement de l'appareil.
- En cas de défaut de l'appareil, les travaux de réparation ne peuvent être effectués que par un électricien qualifié.
- L'appareil ne doit jamais fonctionner à sec ou être utilisé avec le tuyau d'aspiration complètement fermé. La garantie du fabricant devient nulle et non avenue si l'appareil est endommagé par un fonctionnement à sec.
- L'appareil ne doit pas être utilisé pour filtrer les piscines.
- L'appareil ne doit pas être installé dans le circuit d'eau potable.
- L'unité est uniquement installée hors de l'eau.

- La distance entre l'appareil et le bassin doit être d'au moins 2 m.
- Il faut veiller à ce que l'appareil ne puisse pas tomber dans l'eau.
- Placez l'appareil de manière à ce qu'il ne soit pas exposé à la lumière directe du soleil.
- Si nécessaire, raccourcissez les œilletons du tuyau en fonction du diamètre du tuyau.
- Fixez les tuyaux et les colliers de serrage.
- Bien que le rayonnement ultraviolet émette la plus faible énergie de tous les rayonnements ionisants, il peut être dangereux pour l'homme et les autres organismes. Même les rayons UV de plus grande longueur d'onde sont capables de briser les liaisons chimiques des molécules organiques. Par conséquent, une manipulation responsable des sources d'UV techniques est recommandée.
- N'utilisez le tube que dans son boîtier fermé et non cassé.

**Lisez toutes les informations et instructions de sécurité.** Le non-respect des informations et instructions de sécurité peut entraîner un choc électrique, un incendie et/ou des blessures graves. Conservez toutes les informations et instructions de sécurité pour pouvoir vous y référer ultérieurement.

### Résistance

- La température du liquide pompé ne doit pas dépasser +35 °C en fonctionnement continu.
- Cette pompe ne doit pas être utilisée pour pomper des liquides inflammables, gazeux ou explosifs. Cette pompe ne doit pas être utilisée pour d'autres liquides, notamment les carburants, les produits de nettoyage et autres produits chimiques !

### Connexion électrique

Le raccordement électrique se fait sur une prise de courant avec mise à la terre 230 V ~ 50 Hz. Fusible minimum 10 A.

- Aucune eau ne doit atteindre la section UV-C ! Le filtre doit être placé à au moins 2 mètres du bassin. La lampe ne peut pas être utilisée sous l'eau.
- L'alimentation électrique de la section UV-C ne doit jamais être mise en marche par la circulation de l'eau.
- Placez la section UV-C dans un endroit sûr et stable. Le verre de quartz de la section UV-C est fragile.
- Ne mettez pas l'appareil sous tension tant que toutes les pièces du filtre ne sont pas complètement fixées.
- Si le verre de quartz ou la partie supérieure de la partie UV-C sont endommagés, le filtre à pression ne peut pas être utilisé.
- Lorsque les gens sont dans l'eau, la partie UV-C ne peut pas être utilisée.
- Assurez-vous que la tension électrique et la fréquence utilisées correspondent à l'indication du filtre.
- Lors de l'installation de l'appareil, il convient de respecter les règles d'installation domestique.
- Ne tirez pas sur le câble de connexion. Conservez le câble de connexion à l'abri de la chaleur, de la graisse et des objets pointus.
- Veillez à ce que le sommet ne soit pas exposé à une pression supérieure à 0,3 bar.
- Retirez la section UV-C si vous prévoyez du gel.
- La section UV-C ne doit pas être exposée à la lumière directe du soleil.
- La saleté affecte la fonction du verre de quartz. Il faut donc le nettoyer régulièrement.
- La lampe UV-C doit être remplacée après plusieurs 8000 heures de fonctionnement pour maintenir la fonction de la partie UV-C.
- La lumière UV est nocive pour les yeux et la peau. Veuillez ne pas regarder directement dans la lumière UV et ne pas exposer votre peau à la lumière UV.

- Lors de l'installation ou de la réparation de l'appareil, coupez l'alimentation électrique de la lampe et de la pompe.
- Le produit doit être installé horizontalement avec les pieds vers le bas. Pour des raisons de sécurité, il est interdit d'installer l'appareil d'une autre manière.

## **APPLICATION**

Cette unité UV-C garantit des poissons en bonne santé et une eau claire. L'eau est pompée par une pompe à travers l'unité UV-C. Elle passe ensuite devant une lampe UV et est exposée aux rayons UV-C, qui détruisent les bactéries, les agents pathogènes et les algues flottantes dans l'eau. L'eau devient ainsi claire.

Pour de meilleurs résultats, l'appareil doit fonctionner 24H/24 pendant la saison sans gel.

## **MISE EN SERVICE**

Mettez la pompe en marche et attendez que l'unité se remplisse d'eau. Vérifiez l'étanchéité de tous les raccords. Dès que la fiche est dans la prise, l'appareil fonctionne.

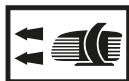
## **DONNÉES TECHNIQUES**

MODÈLE	Puissance (W)	Tension (V) / Fréquence (Hz)	Max. volume de l'étang (ℓ)	Max. volume de l'étang ornemental (ℓ)	Débit recommandé (ℓ/h)	Entrée/sortie (mm)
GPF-2500	11	230 / 50	3000	6000	6000	19/25/33
GPF-5000	11	230 / 50	4000	8000	9000	19/25/32/40
GPF-10000	11	230 / 50	6000	12000	10000	19/25/32/40
GPF-15000	18	230 / 50	10000	30000	10000	19/25/32/40
GPF-20000	36	230 / 50	20000	40000	12000	32/38
GPF-30000	55	230 / 50	30000	60000	12000	32/38

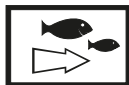
## **SÉCURITÉ**

- Cet appareil produit des radiations nocives. Le contact direct avec la peau et les yeux est nocif et doit être évité.
- Si l'appareil est endommagé, il ne doit pas être utilisé.
- Si aucune eau n'est pompée, l'unité doit être mise hors tension.
- En cas de gel, l'appareil doit être démonté et stocké dans un endroit sec et à l'abri du gel.

# GPF-2500/GPF-5000/GPF-10000/GPF-15000/GPF-20000/GPF-30000



Entrée d'eau de la pompe dans le filtre



Retour/sortie vers le bassin



Nettoyage de la sortie du filtre vers les eaux usées ou vers un lit de fleurs

Ces filtres à pression constituent un système de filtration idéal et performant pour votre bassin. Avantages par rapport aux systèmes de filtration traditionnels :

- Grand pouvoir de nettoyage
- Combinaison de la filtration mécanique et biologique
- Matériaux filtrants efficaces
- Unité UV-C intégrée et indicateur de saleté
- Hauteur d'élévation maximale 3m (en fonction de la pompe)
- L'installation et l'entretien sont très faciles

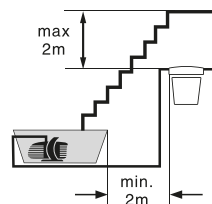
## FONCTIONS DU FILTRE À PRESSION

L'eau est nettoyée par le filtre à pression en 3 plusieurs étapes :

1. **Mécanique.** Les particules de saleté visibles sont éliminées par des 3 couches d'éponges filtrantes, triées de grossières à fines.
2. **Biologique.** au moyen d'éponges filtrantes et de bioballs (selon le modèle), le développement des bio-organismes est stimulé. Ces micro-organismes éliminent les composants organiques de l'eau.
3. **Traitement de l'eau par UV-C.** Les algues et les germes flottants sont tués par la lumière UV-C. Le résultat est une **eau saine**.

## UTILISATION

- Le filtre à pression doit être placé à au moins 2 mètres de l'étang. La sortie de l'eau de retour dans le bassin doit se situer au maximum à m2 au-dessus du couvercle du filtre (pression d'eau de 0,2 bar !).
- Tout d'abord, la pompe doit être mise en marche. La lampe UV-C ne peut être mise en service que lorsque de l'eau coule devant elle. N'utilisez pas l'unité UV-C si la lampe ou les connexions sont endommagées et/ou s'il y a des personnes dans l'eau.
- Le capteur de température intégré garantit que la lampe UV-C s'éteint automatiquement en cas de surchauffe. Dès que la lampe a refroidi, elle s'allume à nouveau automatiquement.



- Les filtres à pression AquaForte sont fournis complets avec tous les matériaux filtrants. Rincez soigneusement les tapis filtrants avant de les utiliser avec l'eau de l'étang. Les boules biologiques (selon le modèle) sont placées au fond du filtre et la grille avec le tube de protection de l'appareil UV-C est placée au-dessus. Placez les éponges filtrantes sur le dessus, de la plus fine à la plus grossière. Remettez le couvercle et fermez le filtre avec le collier de serrage fourni.
- Lorsqu'il est correctement installé, le filtre est étanche jusqu'à une pression de service de plus de 0,5 bar. L'alimentation doit être équipée d'un dispositif de courant résiduel ne dépassant pas 30 mA.

### Assemblage des passe-fils/capuchons de tuyau

Faites glisser l'écrou-raccord sur le passe-fil noir, insérez le joint plat dans l'écrou-raccord et vissez-le sur le passe-fil d'entrée d'eau et le passe-fil de sortie d'eau. Vissez les capuchons d'étanchéité avec le joint plat sur le bec de nettoyage.

### Raccordement de l'alimentation en eau

Connectez la pompe à la buse du tube, la flèche étant dirigée vers le filtre. Utilisez un diamètre de tube égal au diamètre de la sortie de la pompe. Coupez les parties inutilisées de l'écillet.

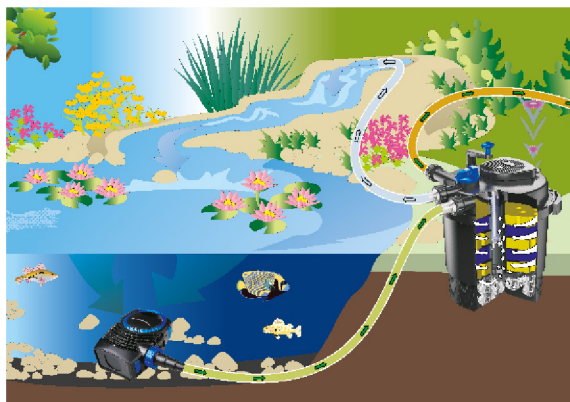
### Raccordement de la sortie d'eau

L'embout du tuyau avec la flèche pointant vers l'extérieur du filtre est la sortie vers le bassin. Raccordez un tuyau approprié au plus grand diamètre de la sortie et coupez les autres diamètres. Pour éviter que les tuyaux ne se détachent, fixez des colliers de serrage.

### Raccordement à la connexion de nettoyage

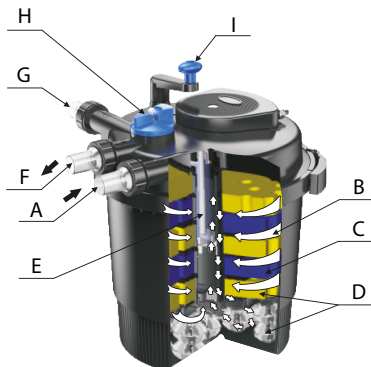
Pour raccorder en permanence un tuyau de vidange au raccord de nettoyage ("Clean"), dévissez le bouchon du raccord de nettoyage ("Clean"), montez le troisième embout de tuyau et raccordez un tuyau approprié. Pendant le fonctionnement du filtre, le raccord de nettoyage ou le tuyau de vidange qui y est raccordé doit toujours être fermé à l'aide d'un bouchon et d'un joint plat appliqué, par mesure de sécurité, au cas où le commutateur de fonction serait réglé par inadvertance sur "Clean".

**Ne faites jamais fonctionner l'appareil sans alimentation en eau ou sans filtre de pompe.**



# FONCTIONNEMENT DU FILTRE À PRESSION

Le filtre à pression avec unité UV-C intégrée est un système de filtration fermé pour le nettoyage biologique et mécanique de l'eau du bassin.



Le texte suivant prend l'exemple de GPF-20000.

Partie	Désignation	Note
A	Entrée d'eau	Un tuyau de pression relie la pompe à l'entrée d'eau.
B	Système Vortex	Avec l'aide des forces centrifuges et gravitationnelles, l'eau pénètre dans les Médias filtrants les plus adaptés.
C	Filtre mécanique	Les particules de saleté se sont collées à la surface des éponges filtrantes avant que l'eau ne s'écoule plus loin dans le filtre.
D	Nettoyage biologique	Les micro-organismes se déposent sur les pores des éponges filtrantes. Les éponges filtrantes bleues et jaunes diffèrent par leur taille et leur densité. Cela crée des zones à travers lesquelles l'eau s'écoule à des vitesses différentes. Les zones à fort débit (filtres bleus) sont principalement colonisées par des micro-organismes qui transforment l'ammonium en nitrate. Dans les zones d'écoulement plus rapide (filtres jaunes), des micro-organismes principalement anaérobies se rassemblent des micro-organismes qui réduisent les nitrates en azote.
E	Nettoyage de l'eau de l'étang	L'eau qui quitte le filtre est brièvement exposée aux rayons ultraviolets de la lampe UV-C. Les germes, les bactéries et les algues sont tués. L'eau circule de l'extérieur vers l'intérieur en passant par le filtre.
F	Sortie d'eau avec indicateur de débit	L'eau nettoyée retourne dans l'étang.
G	Drain pour l'eau de rinçage pendant le nettoyage (GPF-2500-5000-10000-15000-20000-30000)	
H	Commutateur de fonction pour la commutation entre "filtre" et "filtre propre".	
I	Levier de nettoyage (GPF-2500-5000-10000-15000-20000-30000)	

# NETTOYAGE DES ÉPONGES FILTRANTES AVEC LE LEVIER DE NETTOYAGE

## GPF-2500-5000-10000-15000-20000-30000

- Les éponges filtrantes sont nettoyées à l'aide du levier de nettoyage. La saleté est pressée hors du filtre par la rotation.
- Veuillez respecter les instructions suivantes afin de garantir un nettoyage optimal de l'eau :
  - Le système de filtrage doit rester allumé plusieurs 24 heures par jour.
  - La lampe UV-C doit être remplacée après 8000 heures de fonctionnement pour garantir une efficacité optimale. Le système de filtration doit être nettoyé régulièrement.

## BRANCHER LA POMPE

- Il y a 3 connexions sur le couvercle du filtre avec un embout de tuyau :
  - La pompe est reliée au premier passe-fil. Utilisez un diamètre de tube égal au diamètre de la sortie de la pompe. Coupez le diamètre de l'écillet du tube qui n'est pas nécessaire.
  - L'embout du tuyau au milieu du couvercle est la sortie vers le bassin. Raccordez un tuyau approprié au plus grand diamètre de la sortie et coupez les autres diamètres. Utilisez des colliers de serrage pour éviter que les tuyaux ne se détachent.
- Ne jamais faire fonctionner le filtre avec l'UV-C intégré avec une pression d'eau supérieure à 0,2 bar ! La différence de hauteur entre le couvercle du filtre et la sortie sans pression du tuyau d'alimentation ne doit pas dépasser 2 m. La sortie de la pompe ne doit pas dépasser 0,5 bar. N'utilisez le filtre qu'avec des tuyaux pouvant résister à une pression d'au moins 0,2 bar, soit la pression maximale de la pompe.
- Assurez-vous que le drain du bassin se trouve dans un endroit propre. Si le drain est bloqué, cela peut entraîner une augmentation de la pression. Cela peut à son tour conduire à une fuite du filtre et donc à la vidange complète du bassin. Lorsque vous faites fonctionner le filtre en position "filtre", veuillez vous assurer que tous les joints sont en place pour éviter que le bassin ne se vide.
- Le bouchon d'étanchéité sert également de mesure de sécurité en mode "Clean". Assurez-vous que le filtre est toujours dans la position "Filtre". Le filtre ne doit être réglé sur "Clean" que lorsque les éponges filtrantes sont en cours de nettoyage.
- Avant de mettre le filtre en marche, vérifiez que tous les tuyaux et les joints sont bien en place. Ne jamais filtrer des liquides autres que l'eau.
- En cas de gel, le filtre doit être retiré. N'exposez pas le filtre à la lumière directe du soleil.
- Une fois que le filtre a été placé dans la bonne position et que la pompe a été connectée, l'unité UV-C intégrée peut être mise en marche.

## UNITÉ UV-C

- Les filtres à pression sont fournis complets avec une unité UV-C intégrée. Les ampoules UV-C ont environ 8000 heures de combustion actives, ce qui correspond à l'utilisation saisonnière de mars à novembre. Les ampoules UV-C peuvent être facilement remplacées en dévissant les vis de la partie sphérique du couvercle.
- Nous recommandons de remplacer la lampe UV-C par une nouvelle au début de la saison.
- L'UV-C clarifie l'eau verte et combat les germes. Les filtres à pression ont une chambre séparée, de sorte que les rayons UV-C



n'entrent pas en contact avec le milieu filtrant. Cela signifie que les micro-organismes présents dans le matériau filtrant ne sont pas endommagés.

Les filtres à pression de la série GPF-2500-5000-10000-15000-20000-30000 disposent d'une fonction de nettoyage rapide au moyen d'un levier. Au lieu du bouton poussoir décrit ci-dessus, vous tournez la manivelle jusqu'à ce que les éponges du filtre soient propres.

**Nous recommandons de changer le matériau du filtre et les lampes tous les ans pour assurer le bon fonctionnement du filtre.**

En cas d'utilisation normale du filtre, le "raccord de vidange" (C) doit être obturé par le bouchon de vidange fourni. Comprend une bague à vis avec joint d'étanchéité et un voyant pour éviter tout égouttement du raccord. Les modèles de filtres à pression de la série GPF-2500-5000-10000-15000-20000-30000 sont dotés d'un passe-filtre avec vanne à bille intégrée pour fermer le raccordement.

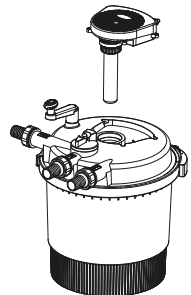
## **NOTES COMPLÉMENTAIRES :**

- Avant chaque mise en service du filtre, il faut vérifier le montage correct des joints et des raccords.
- Les filtres à pression pour étang ne conviennent que pour la filtration de l'eau contenant des impuretés typiques de l'eau d'un étang.
- N'exposez pas le filtre à la lumière directe du soleil pendant de longues périodes.
- En cas de gel, le filtre doit être entièrement vidé, éventuellement déterré et stocké dans un endroit sec et à l'abri du gel.
- Après tout travail où le couvercle doit être enlevé, assurez-vous que la bague d'étanchéité est en place lorsque vous remettez le couvercle en place ! Placez la bague de serrage autour du couvercle, appuyez sur le couvercle et fermez la pince.

## **REEMPLACER L'AMPOULE**

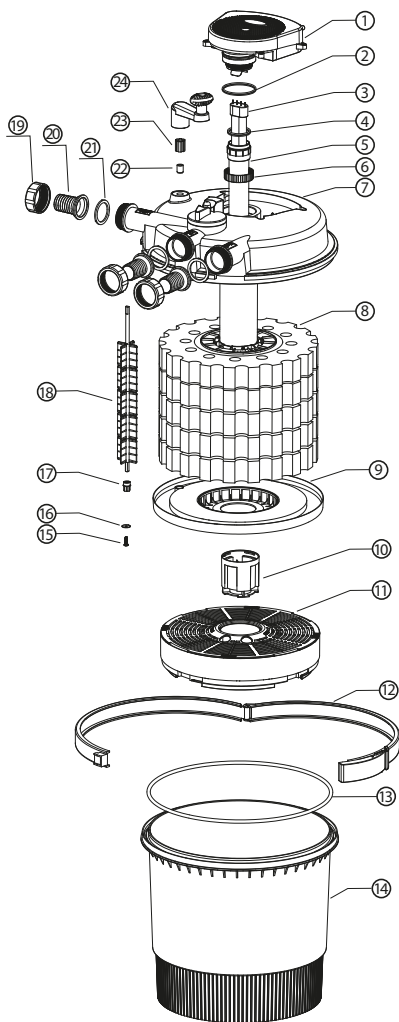
Si le nombre d'algues augmente, cela peut indiquer que la lampe UV-C doit être remplacée. Vous pouvez voir si la lampe est allumée grâce à l'indicateur UV. Remplacez toujours la lampe après une saison !

- Débranchez la lampe UV et la pompe de l'alimentation électrique avant de les remplacer.
- Desserrez les 4 vis de l'unité UV du couvercle du conteneur.
- Retirez avec précaution l'unité UV.
- Une fois que l'unité UV a refroidi et séché, saisissez la partie inférieure de la lampe (pas le verre !) avec un chiffon doux et retirez-la délicatement de la douille.
- Maintenez la nouvelle lampe à sa base avec un chiffon doux et insérez-la avec précaution dans la douille.
- Il faut maintenant nettoyer le verre de quartz dans lequel se trouve la lampe. Dissoudre le calcaire déposé avec des agents appropriés (nettoyant pour machine à café ou détartrant pour eau tel que l'acide citrique) tout en chauffant. Ensuite, veillez à éliminer toute trace du produit de nettoyage sur le verre de quartz.



- Après le rinçage, remontez tous les composants dans l'ordre inverse. Rebranchez la pompe et l'unité sur le secteur.
- L'appareil UV-C doit être déconnecté du réseau avant toute opération de maintenance !
- Mise en service uniquement si le système UV-C est entièrement monté !
- NE PAS apporter de modifications à une unité UV-C en fonctionnement !
- L'appareil UV-C ne doit PAS être transporté par le câble !
- Placez toujours l'appareil UV-C à l'extérieur du bassin (jamais dans l'eau) !
- S'il y a du givre, vous devez retirer l'appareil UV-C !

## LISTE DES PIÈCES



1	Tête UV
2	Bague
3	lampe UV
4	Joint torique 1
5	Tube en verre de quartz
6	Écrou de fixation
7	Couvercle
8	Éponge
9	Plaque individuelle
10	Tube de dérivation
11	Panier filtrant
12	Collier de serrage
13	Joint torique 2
14	Récipient
15	Vis
16	Rondelle
17	Roulement
18	Mécanisme de nettoyage
19	Écrou d'entrée et de sortie
20	Écrou d'entrée et de sortie
21	Joint d'étanchéité
22	Palier supérieur
23	Raccordement de l'arbre
24	Poignée de nettoyage

# RÈGLEMENTS D'ÉLIMINATION



La directive européenne sur l'élimination des déchets d'équipements électriques et électroniques (DEEE, 2012/19/UE) a été mise en œuvre par la loi sur les équipements électriques et électroniques.

Élimination des équipements électriques et électroniques usagés (à utiliser dans les pays de l'Union européenne et les autres pays européens disposant de systèmes de collecte sélective pour ces équipements) Le symbole figurant sur le produit ou sur son emballage indique que ce produit ne doit pas être traité comme un déchet ménager normal mais apporté à un point de collecte pour le recyclage des équipements électriques et électroniques.

En contribuant à l'élimination correcte de ce produit, vous protégez l'environnement et la santé.

de vos semblables. L'environnement et la santé sont mis en danger par une élimination inappropriée. Le recyclage des matériaux permet de réduire la consommation de matières premières.

Pour plus d'informations sur le recyclage de ce produit, veuillez contacter votre municipalité, votre service local d'élimination des déchets ou le magasin où vous avez acheté le produit.

